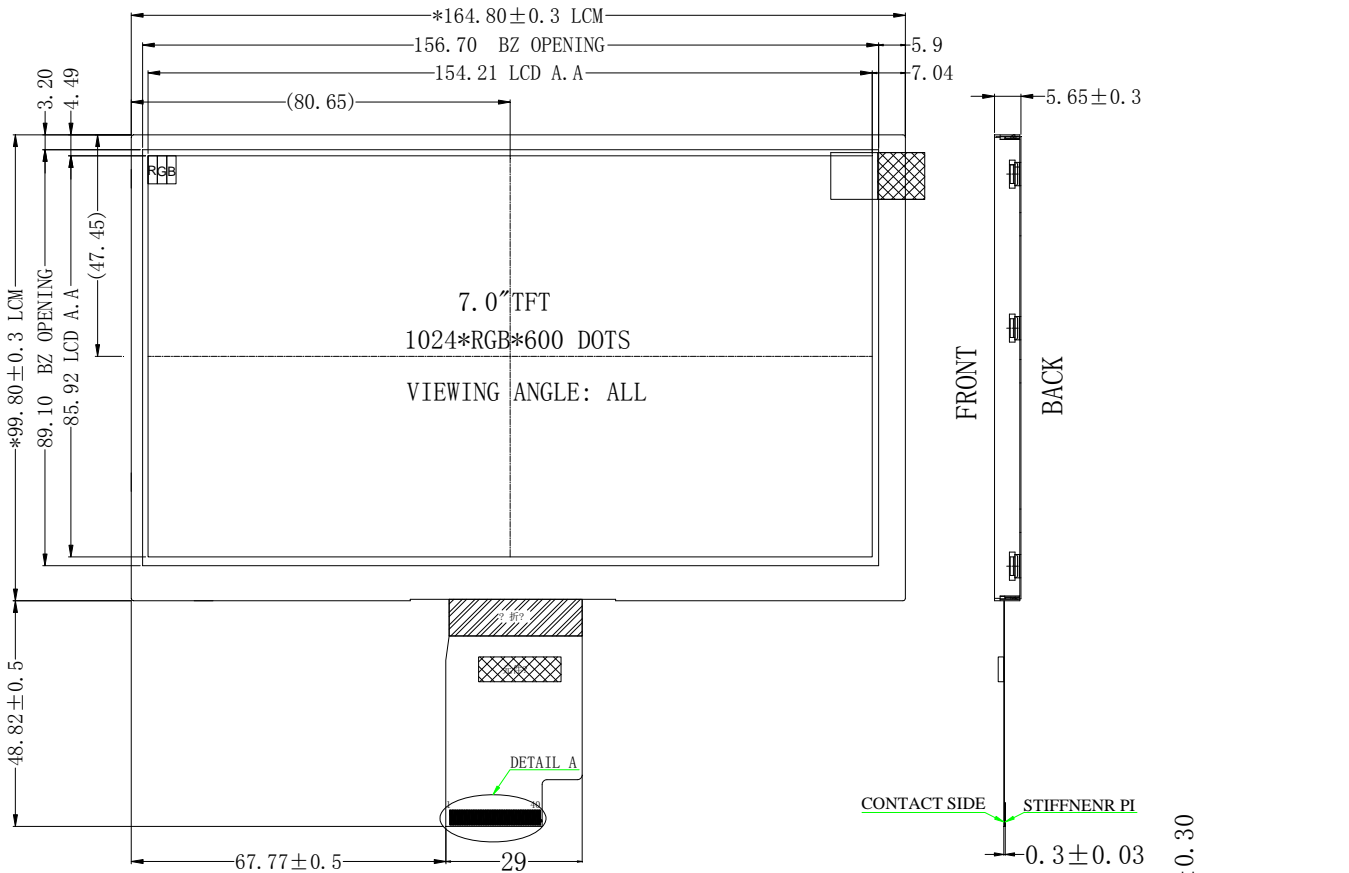
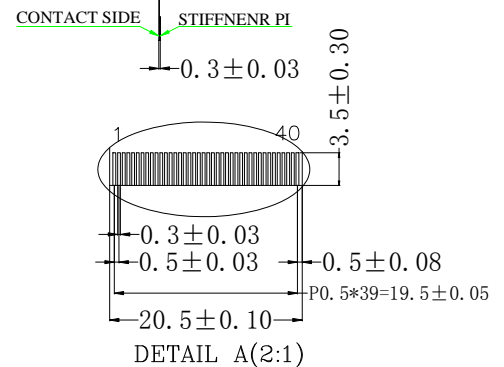


EXTERNAL DIMENSION



NOTES:

1. DISPLAY TYPE: 7.0TFT, NORMALLY BLACK
2. VIEWING DIRECTION : U/L/D/R 80/80/80/80
3. Driver IC : EK79001ECGA/EK73215BCGA OR EQU
4. Top : -20 C ~ 70 C, Tst : -30 C ~ 80 C
5. GENERAL TOLERANCE:  $\phi$  0.2
6. LCM Luminance: 500cd/m<sup>2</sup> (Typical)



PIN CONNECTIONS

PINNO	1	2	3	4	5	6	7	8	9	10
SYMBOL	VCOM	VDD	VDD	NC	REST	SBYB	GND	RXIN0-	RXIN0+	GND
PINNO	11	12	13	14	15	16	17	18	19	20
SYMBOL	RXIN1-	RXIN1+	GND	RXIN2-	RXIN2+	GND	RXCLKIN-	RXCLKIN+	GND	RXIN3-
PINNO	21	22	23	24	25	26	27	28	29	30
SYMBOL	RXIN3+	GND	NC	NC	GND	NC	NC	SELB	AVDD	GND
PINNO	31	32	33	34	35	36	37	38	39	40
SYMBOL	LEDK	LEDK	SHLR	UPDN	VGL	NC	NC	VGH	LEDA	LEDA