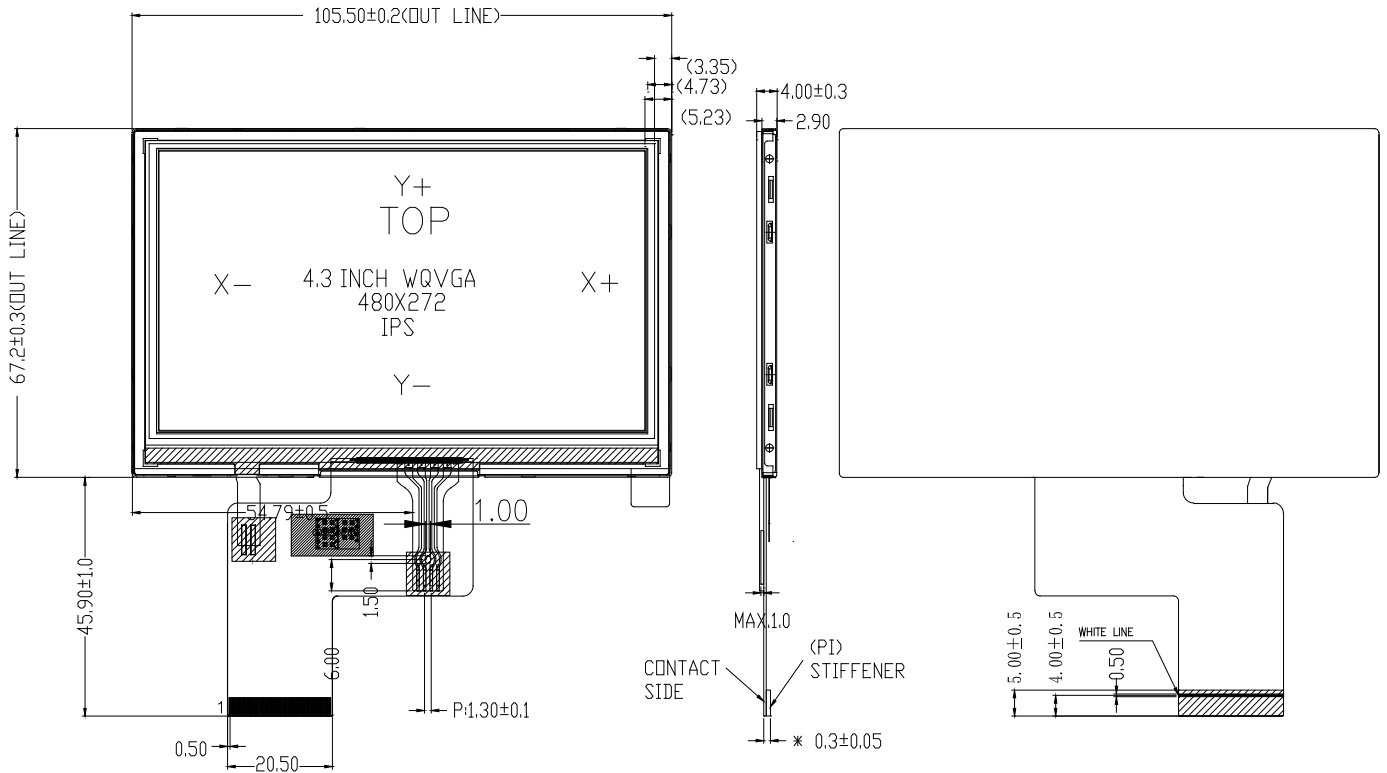


PT0434827T-H6(RTP) SERIES (480*RGB*272 DOTS)



龐誼科技股份有限公司
Palm Technology Co., Ltd.

EXTERNAL DIMENSION



PIN CONNECTIONS

PIN NO	1	2	3	4	5	6	7	8	9	10
SYMBOL	VLED-	VLED+	GND	VDD	R0	R1	R2	R3	R4	R5
PIN NO	11	12	13	14	15	16	17	18	19	20
SYMBOL	R6	R7	G0	G1	G2	G3	G4	G5	G6	G7
PIN NO	21	22	23	24	25	26	27	28	29	30
SYMBOL	B0	B1	B2	B3	B4	B5	B6	B7	GND	DCLK
PIN NO	31	32	33	34	35	36	37	38	39	40
SYMBOL	DISP	HSYN	VSYNC	DE	NC	GND	XR	YD	XL	YU