

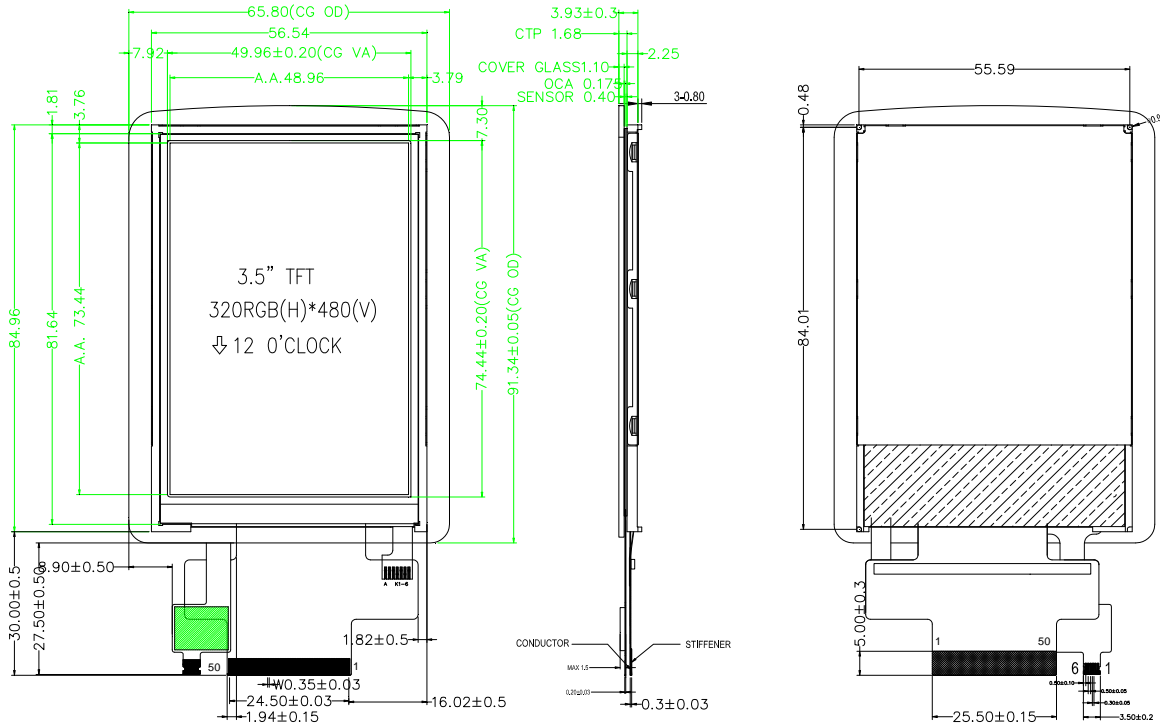
# PT0353248TC-D3 SERIES

## (320\*RGB\*480 DOTS)



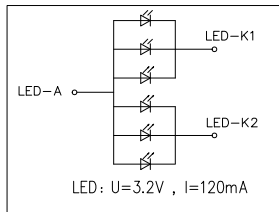
魔誼科技股份有限公司  
Palm Technology Co., Ltd.

### EXTERNAL DIMENSION



**NOTES:**

1. Display type: 262K TFT
2. Driver IC: ILI9488
3. Operation Voltage: VCI=3.0V, VDDI=3V
4. Operating temperature: -20°~+70°  
Storage temperature: -30°~+80°
5. Backlight: 6- LED White
6. ROHS



### PIN CONNECTIONS

<b>PIN NO</b>	<b>1</b>	<b>2</b>	<b>3</b>	<b>4</b>	<b>5</b>	<b>6</b>	<b>7</b>	<b>8</b>	<b>9</b>	<b>10</b>
<b>SYMBOL</b>	<b>LED A</b>	<b>LED K1</b>	<b>LED K2</b>	<b>NC</b>	<b>NC</b>	<b>NC</b>	<b>IM0</b>	<b>LM1</b>	<b>IM2</b>	<b>RESET</b>
<b>PIN NO</b>	<b>11</b>	<b>12</b>	<b>13</b>	<b>14</b>	<b>15</b>	<b>16</b>	<b>17</b>	<b>18</b>	<b>19</b>	<b>20</b>
<b>SYMBOL</b>	<b>VSYNC</b>	<b>HSYNC</b>	<b>DOTCLK</b>	<b>DE</b>	<b>D17</b>	<b>D16</b>	<b>D15</b>	<b>D14</b>	<b>D13</b>	<b>D12</b>
<b>PIN NO</b>	<b>21</b>	<b>22</b>	<b>23</b>	<b>24</b>	<b>25</b>	<b>26</b>	<b>27</b>	<b>28</b>	<b>29</b>	<b>30</b>
<b>SYMBOL</b>	<b>D11</b>	<b>D10</b>	<b>D9</b>	<b>D8</b>	<b>D7</b>	<b>D6</b>	<b>D5</b>	<b>D4</b>	<b>D3</b>	<b>D2</b>
<b>PIN NO</b>	<b>31</b>	<b>32</b>	<b>33</b>	<b>34</b>	<b>35</b>	<b>36</b>	<b>37</b>	<b>38</b>	<b>39</b>	<b>40</b>
<b>SYMBOL</b>	<b>D1</b>	<b>D0</b>	<b>SDO</b>	<b>SDI</b>	<b>RD</b>	<b>WR(D/C)</b>	<b>(D/C)(SCL)</b>	<b>CS</b>	<b>TE</b>	<b>VDDI</b>
<b>PIN NO</b>	<b>41</b>	<b>42</b>	<b>43</b>	<b>44</b>	<b>45</b>	<b>46</b>	<b>47</b>	<b>48</b>	<b>49</b>	<b>50</b>
<b>SYMBOL</b>	<b>VDDI</b>	<b>VCI</b>	<b>GND</b>	<b>SCL-XR</b>	<b>SDA-YD</b>	<b>IRQ-XL</b>	<b>RST-YU</b>	<b>GND</b>	<b>GND</b>	<b>GND</b>

### CAPACITIVE TOUCH

<b>PIN NO</b>	<b>1</b>	<b>2</b>	<b>3</b>	<b>4</b>	<b>5</b>	<b>6</b>
<b>SYMBOL</b>	<b>VDD</b>	<b>GND</b>	<b>SCL</b>	<b>SDA</b>	<b>INT</b>	<b>RESET</b>