

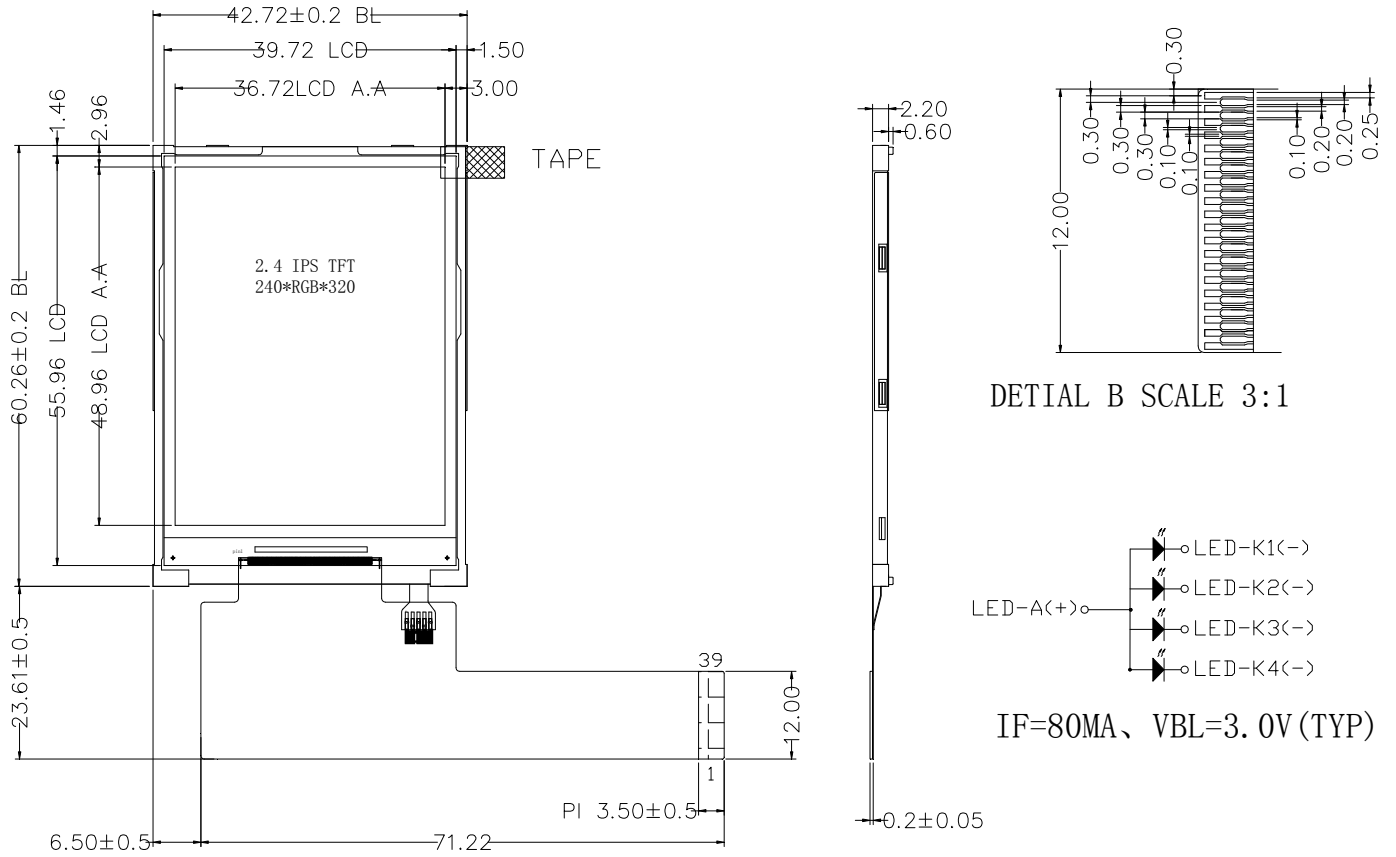
PT0242432-E4 SERIES

(240*RGB*320 DOTS)



龐誼科技股份有限公司
Palm Technology Co., Ltd.

EXTERNAL DIMENSION



PIN CONNECTIONS

PIN NO	1	2	3	4	5	6	7	8	9	10
SYMBOL	PCLK	DB8	DB9	DB10	DB11	DATAEN	IOVCC	SCLK	SCS	SDI
PIN NO	11	12	13	14	15	16	17	18	19	20
SYMBOL	SDO	RESET	NC	NC	NC	NC	LEDA	LEDA	NC	LEDK
PIN NO	21	22	23	24	25	26	27	28	29	30
SYMBOL	LEDK	HS	DB12	DB0	DB1	DB2	DB3	DB4	DB5	DB6
PIN NO	31	32	33	34	35	36	37	38	39	
SYMBOL	DB7	VS	VCC	VCC	GND	DB13	DB14	DB15	GND	