

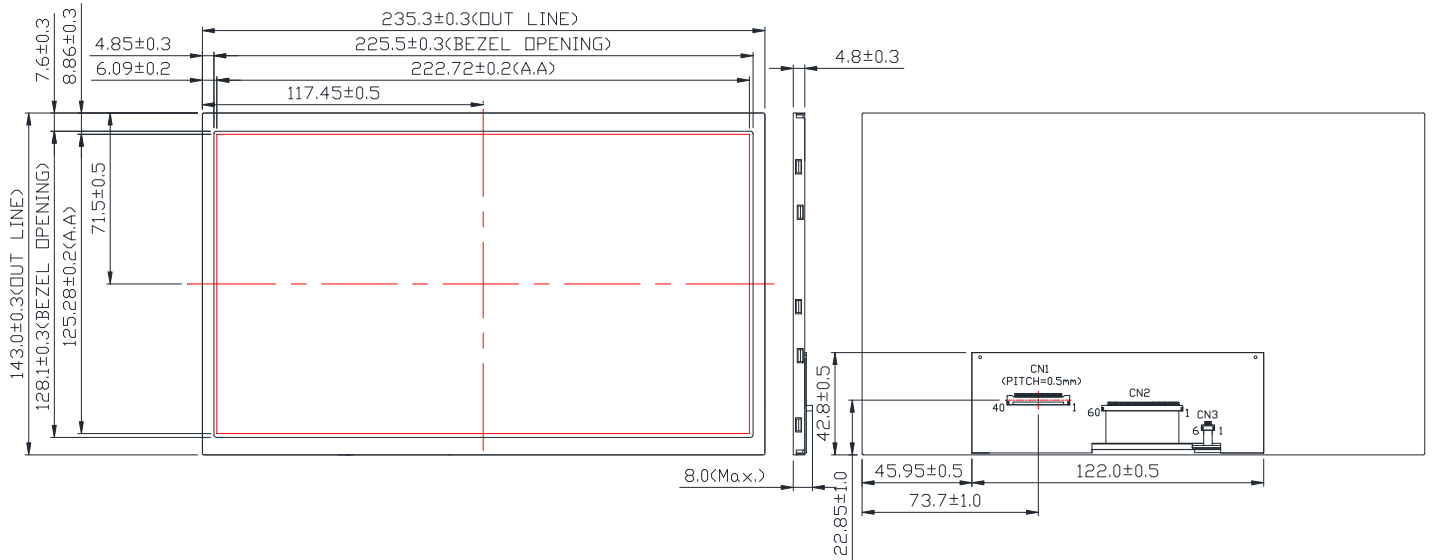
PT10110260-B1 SERIES

(1024*RGB*600 DOTS)



龐誼科技股份有限公司
Palm Technology Co., Ltd.

EXTERNAL DIMENSION



PIN CONNECTIONS

PIN NO	1	2	3	4	5	6	7	8	9	10
SYMBOL	BIST	VDD	VDD	NC	NC	NC	NC	Rxin0-	Rxin0+	GND
PIN NO	11	12	13	14	15	16	17	18	19	20
SYMBOL	Rxin1-	Rxin1+	GND	Rxin2-	Rxin2+	GND	CKIN-	CKIN+	GND	Rxin3-
PIN NO	21	22	23	24	25	26	27	28	29	30
SYMBOL	Rxin3+	GND	NC	NC	GND	NC	NC	GND	NC	NC
PIN NO	31	32	33	34	35	36	37	38	39	40
SYMBOL	GND_LED	GND_LED	GND_LED	NC	LED_PWM	LED_EN	NC	VDD_LED	VDD_LED	VDD_LED