

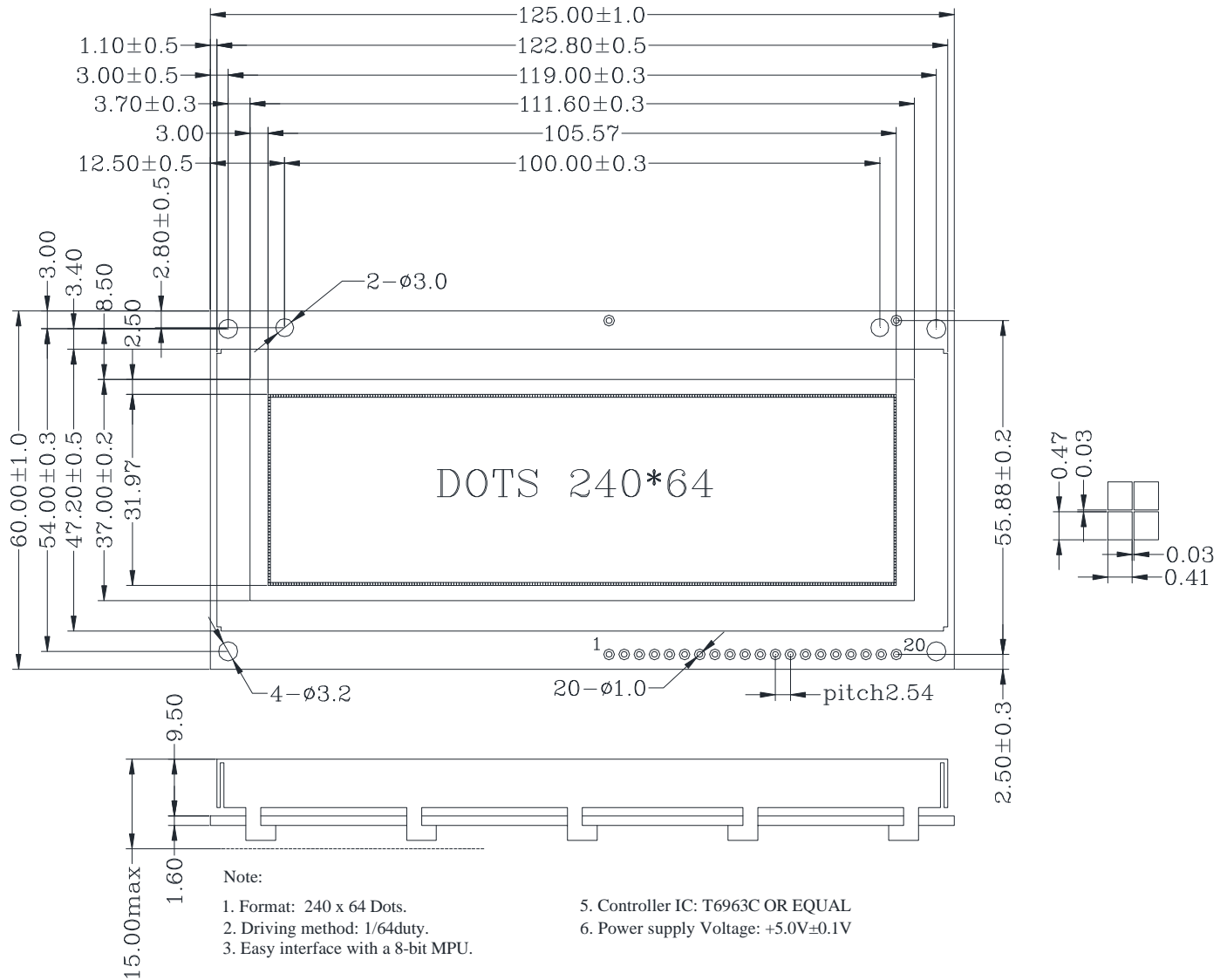
PBG2406A SERIES (240 * 64 DOTS)



龐誼科技股份有限公司

Palm Technology Co., Ltd.

EXTERNAL DIMENSION



PIN CONNECTIONS

PIN NO	1	2	3	4	5	6	7	8	9	10
SYMBOL	VSS	VDD	V0	C/D	/RD	/WR	DB0	DB1	DB2	DB3
PIN NO	11	12	13	14	15	16	17	18	19	20
SYMBOL	DB4	DB5	DB6	DB7	/CS	/RES	VEE	LC	LK	LA