

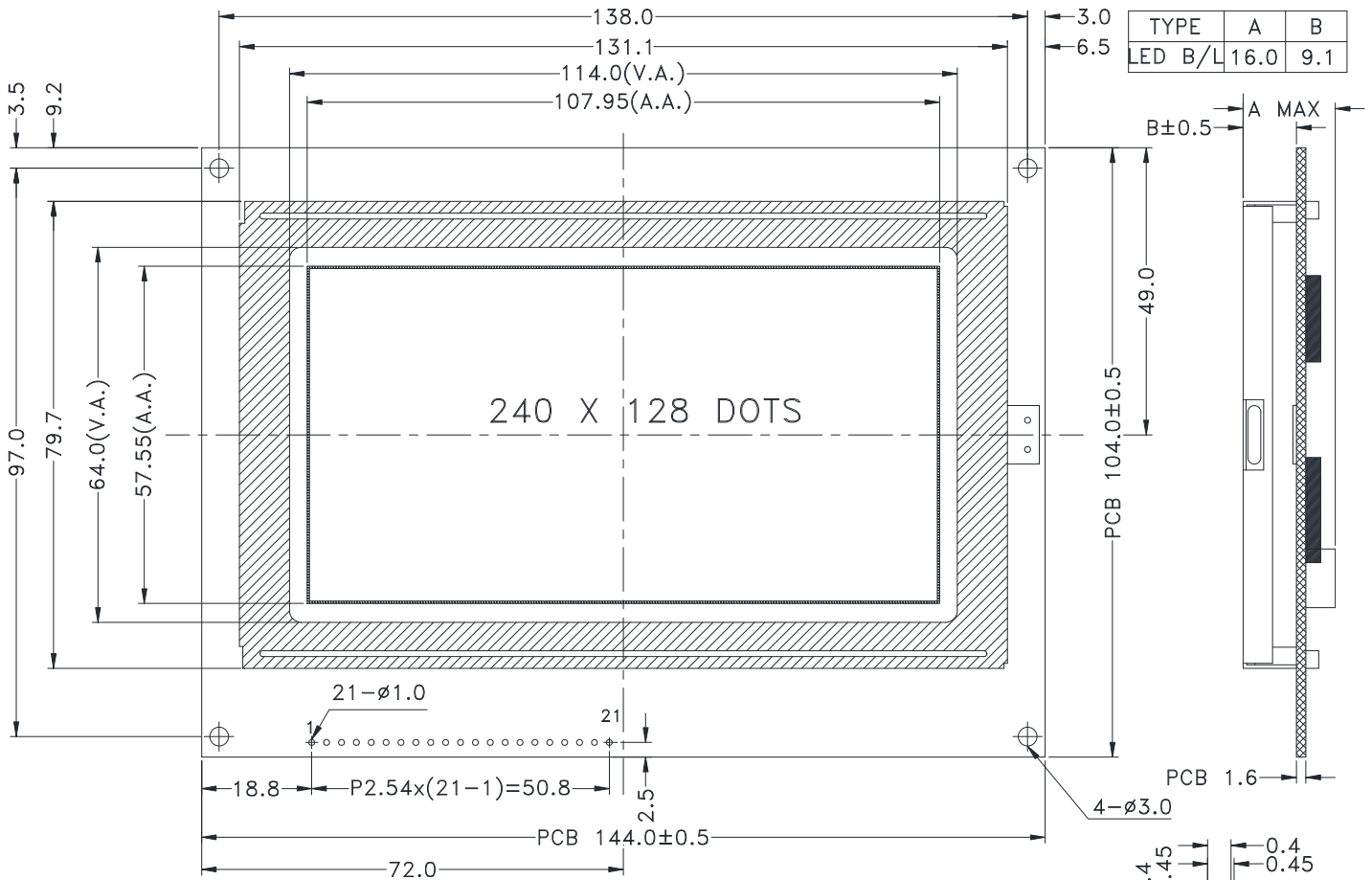
PQG2412AW SERIES (240 * 128 DOTS)



龐誼科技股份有限公司

Palm Technology Co., Ltd.

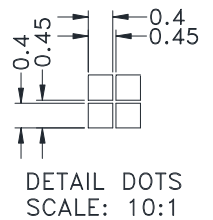
EXTERNAL DIMENSION



SPECIFICATIONS

1. DRIVE MODE: 1/128 DUTY, 1/12.2 BIAS
2. LCD DRIVING VOLTAGE: 17.8V
3. LOGIC VOLTAGE: 5.0V
4. VIEWING DIRECTION: 6 O'CLOCK
5. OPERATING TEMP: -2 0°C~70°C
6. STORAGE TEMP: -3 0°C~80°C
7. OTHER:

MECHANICAL TOL. ±0.3 UNLESS SPECIFIED



PIN CONNECTIONS

PIN NO	1	2	3	4	5	6	7
SYMBOL	FGND	VSS	VDD	V0	/WR	/RD	/CS
PIN NO	8	9	10	11	12	13	14
SYMBOL	C/D	/RST	DB0	DB1	DB2	DB3	DB4
PIN NO	15	16	17	18	19	20	21
SYMBOL	DB5	DB6	DB7	FS	VEE	LED+	LED-