

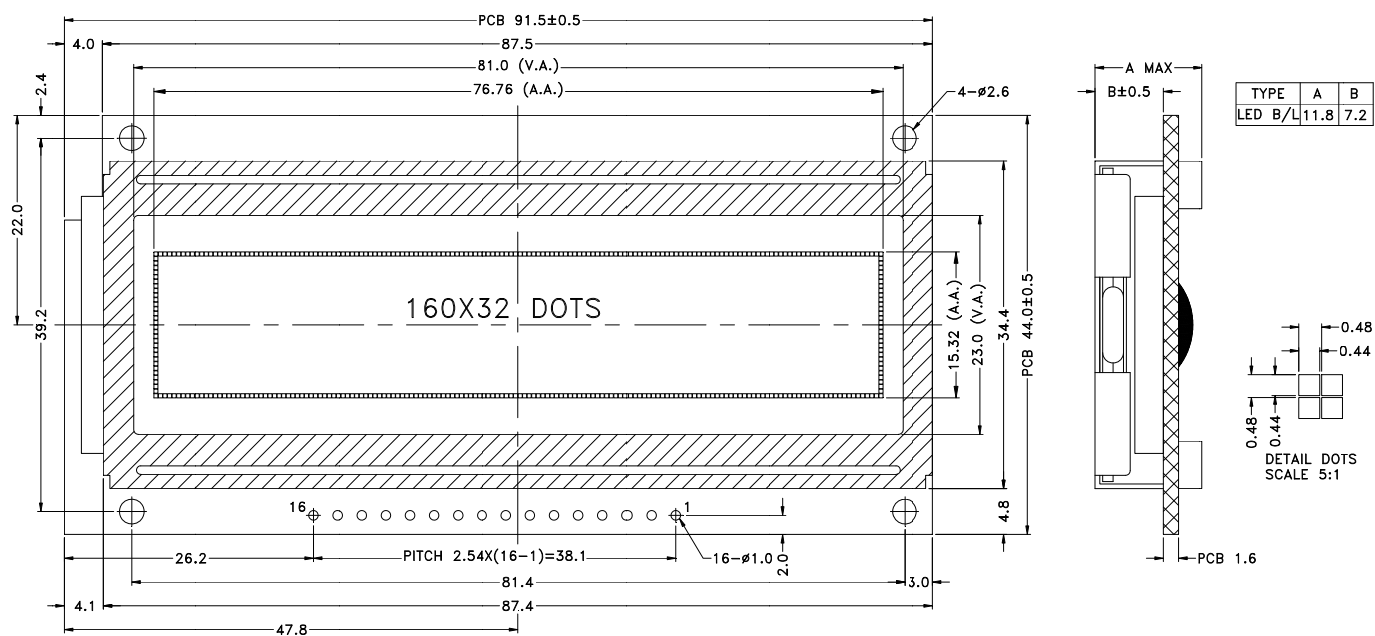
PQG1603DW SERIES (160 * 32 DOTS)



龐誼科技股份有限公司

Palm Technology Co., Ltd.

EXTERNAL DIMENSION



PIN CONNECTIONS

PIN NO	1	2	3	4	5	6	7	8
SYMBOL	V_{SS}	V_{DD}	V₀	RS	R/W	E	DB0	DB1
PIN NO	9	10	11	12	13	14	15	16
SYMBOL	DB2	DB3	DB4	DB5	DB6	DB7	LED+	LED-