

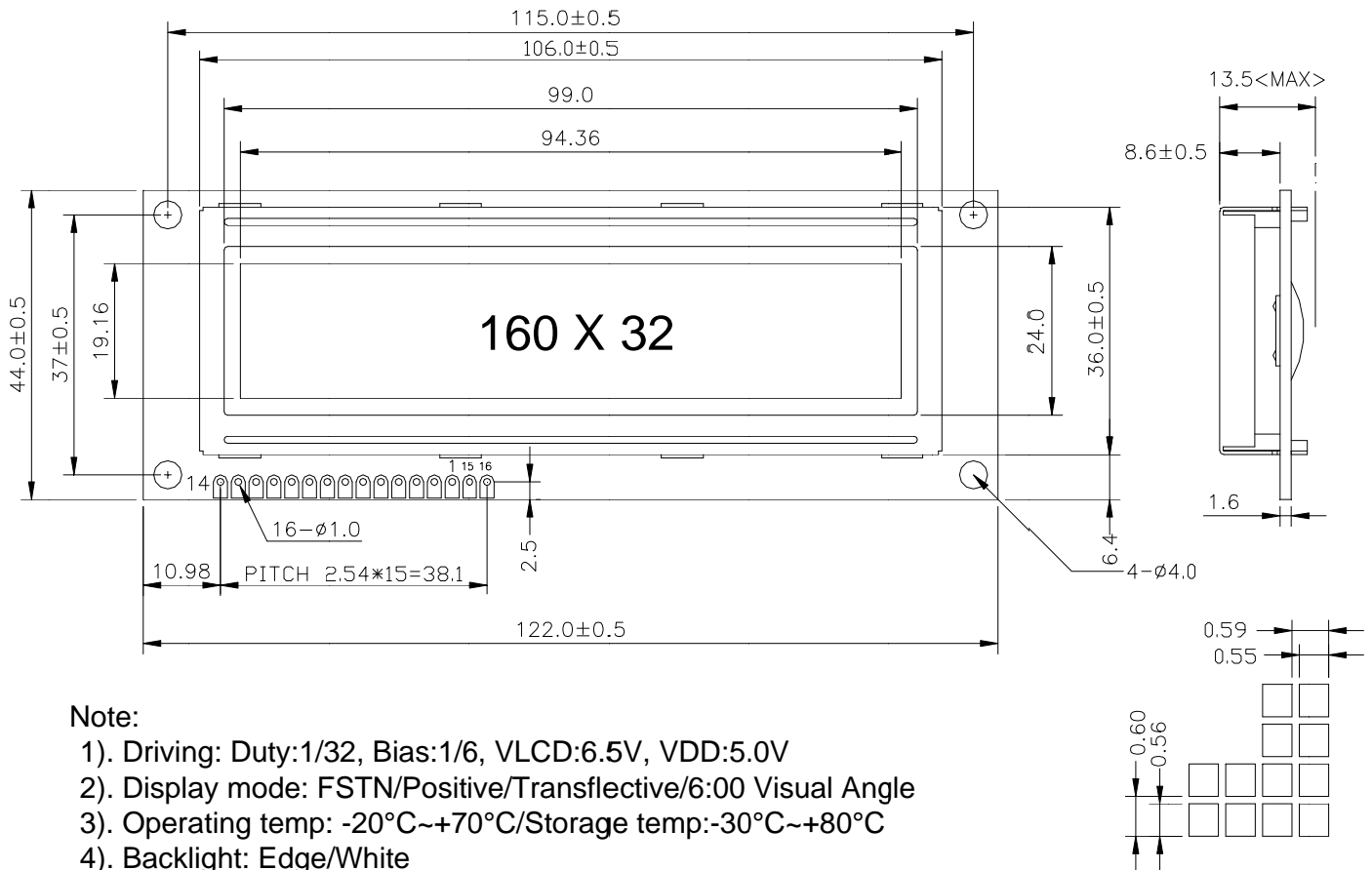
PLG1603AW SERIES (160 * 32 DOTS)



龐誼科技股份有限公司

Palm Technology Co., Ltd.

EXTERNAL DIMENSION



Note:

- 1). Driving: Duty:1/32, Bias:1/6, VLCD:6.5V, VDD:5.0V
- 2). Display mode: FSTN/Positive/Transflective/6:00 Visual Angle
- 3). Operating temp: $-20^{\circ}\text{C} \sim +70^{\circ}\text{C}$ /Storage temp: $-30^{\circ}\text{C} \sim +80^{\circ}\text{C}$
- 4). Backlight: Edge/White
- 5). Driver: AIP31020/AIP31021
- 6). RoHs Compliant

PIN CONNECTIONS

PIN NO	1	2	3	4	5	6	7	8
SYMBOL	V_{SS}	V_{DD}	VLCD	RS	R/W	E	DB0	DB1
PIN NO	9	10	11	12	13	14	15	16
SYMBOL	DB2	DB3	DB4	DB5	DB6	DB7	LED+	LED-