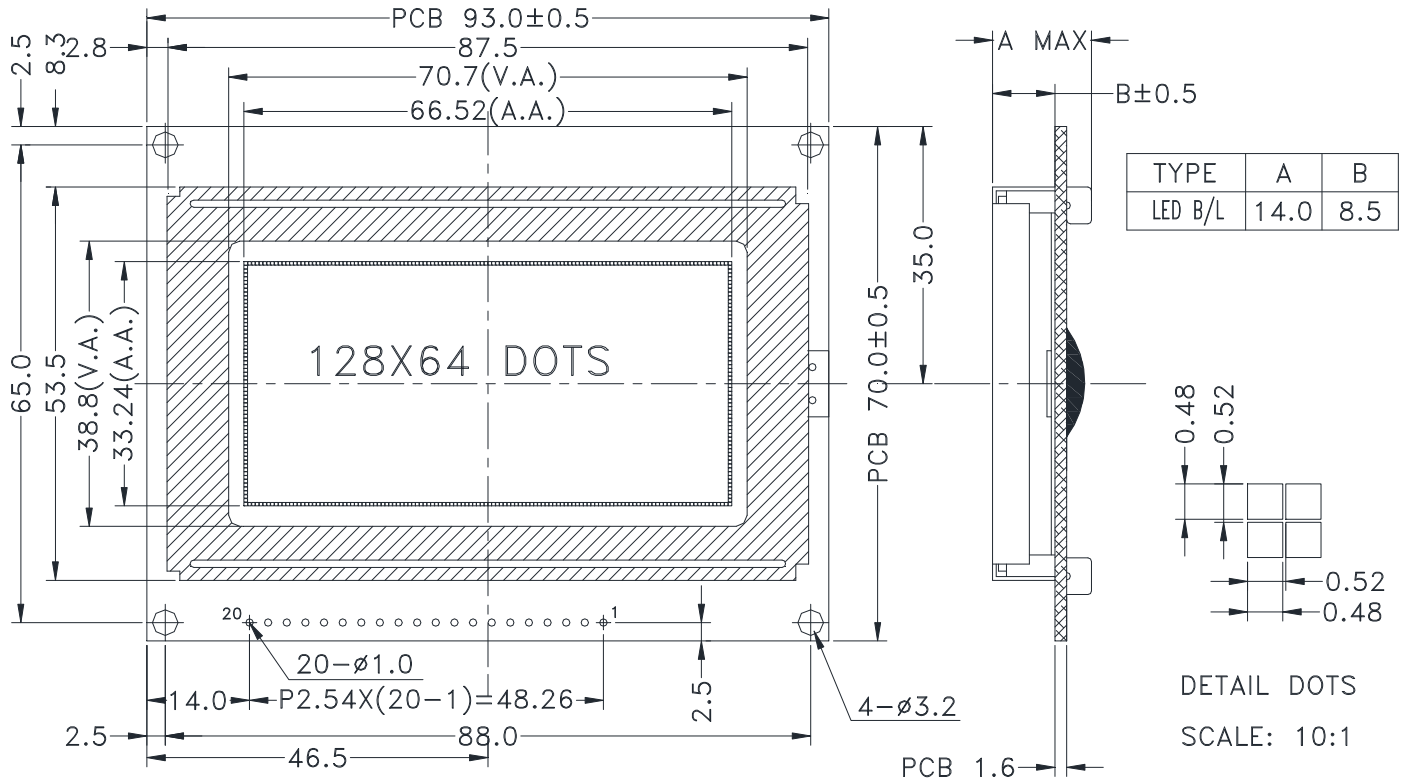


**EXTERNAL DIMENSION**



**SPECIFICATIONS**

1. LCD DRIVING VOLTAGE: 9.0V
2. LOGIC VOLTAGE: 5.0V
3. OPERATING TEMP: -2 0°C~70°C

4. STORAGE TEMP: -3 0°C~80°C
5. DRIVE MODE: 1/64 DUTY, 1/9 BIAS
6. OTHER:  
MECHANICAL TOL.±0.3 UNLESS SPECIFIED

**PIN CONNECTIONS**

<b>PIN NO</b>	<b>1</b>	<b>2</b>	<b>3</b>	<b>4</b>	<b>5</b>	<b>6</b>	<b>7</b>	<b>8</b>	<b>9</b>	<b>10</b>
<b>SYMBOL</b>	<b>VSS</b>	<b>VDD</b>	<b>V0</b>	<b>D/I</b>	<b>R/W</b>	<b>E</b>	<b>DB0</b>	<b>DB1</b>	<b>DB2</b>	<b>DB3</b>
<b>PIN NO</b>	<b>11</b>	<b>12</b>	<b>13</b>	<b>14</b>	<b>15</b>	<b>16</b>	<b>17</b>	<b>18</b>	<b>19</b>	<b>20</b>
<b>SYMBOL</b>	<b>DB4</b>	<b>DB5</b>	<b>DB6</b>	<b>DB7</b>	<b>/RES</b>	<b>CS1</b>	<b>CS2</b>	<b>VEE</b>	<b>LED+</b>	<b>LED-</b>