

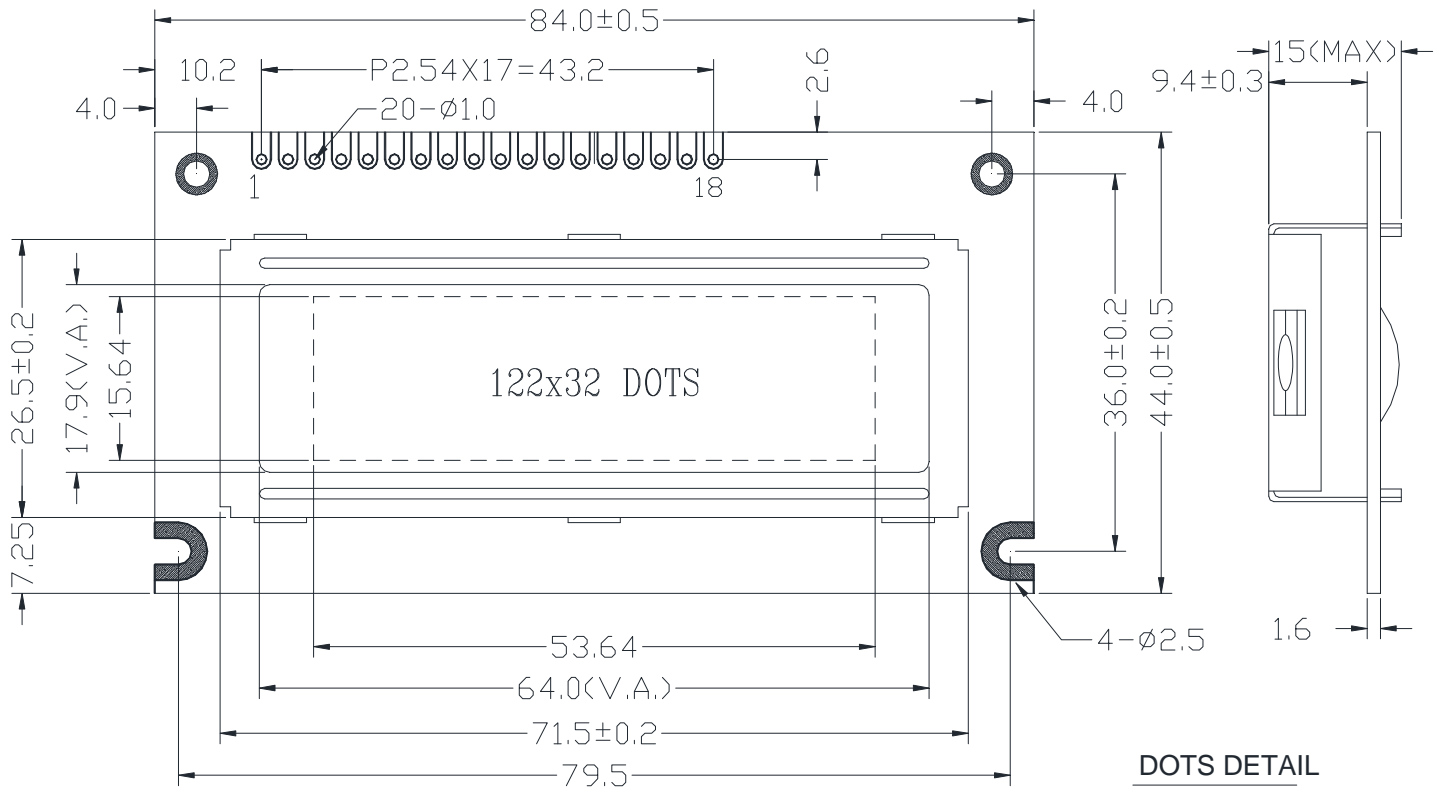
PLG1203BW SERIES (122 * 32 DOTS)



龐誼科技股份有限公司

Palm Technology Co., Ltd.

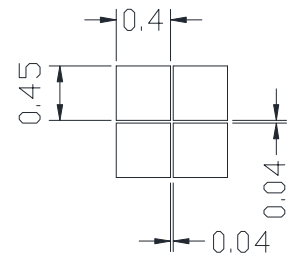
EXTERNAL DIMENSION



Note:

- 1). Driver Method: 1/32duty, 1/6bias, VLCD4.5V, VDD:5.0V
- 2). Operating temp: -20°C~+70°C
Storage temp: -30°C~+80°C
- 3). Driver : SBN1661G-M18
- 4). RoHs Compliant

DOTS DETAIL



SCALE=10:1

PIN CONNECTIONS

PIN NO	1	2	3	4	5	6	7	8	9
SYMBOL	VSS	VDD	V0	RST	E1	E2	R/W	A0	DB0
PIN NO	10	11	12	13	14	15	16	17	18
SYMBOL	DB1	DB2	DB3	DB4	DB5	DB6	DB7	LED+	LED-