

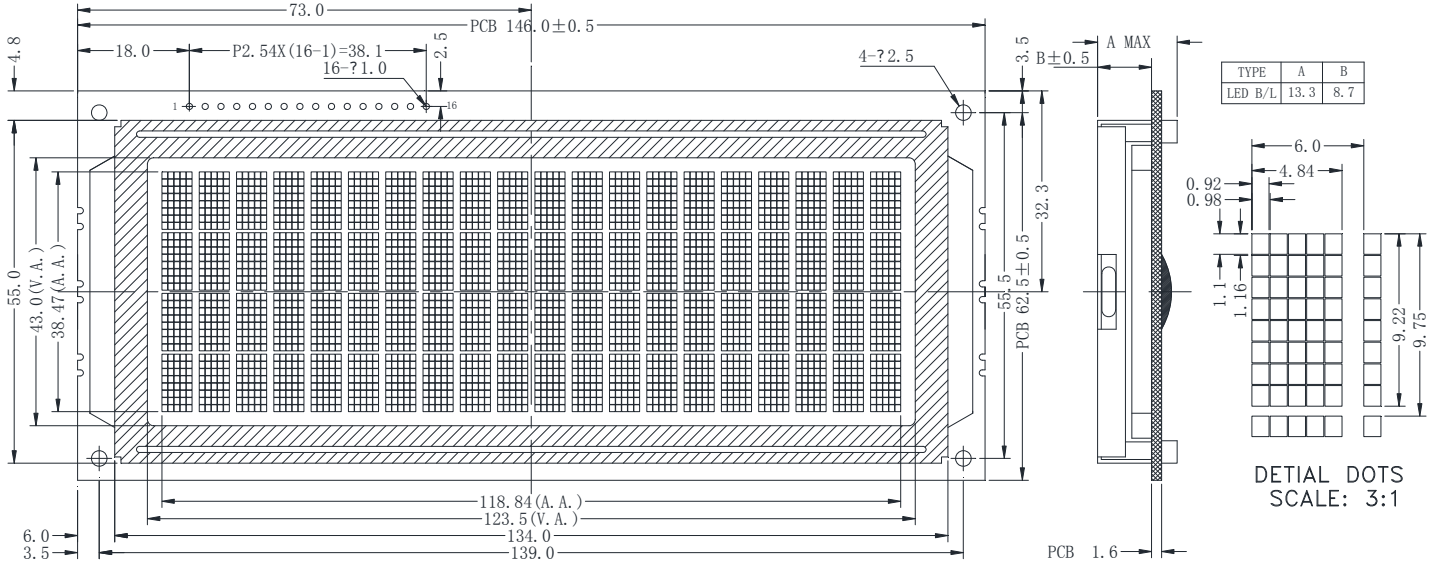
PQC2004BW SERIES (20CH * 4L)



龐誼科技股份有限公司

Palm Technology Co., Ltd.

EXTERNAL DIMENSION



SPECIFICATIONS

- LCD DRIVING VOLTAGE: 4.7V
- LOGIC VOLTAGE: 5.0V
- OPERATING TEMP: -20°C~+70°C
- STORAGE TEMP: -30°C~+80°C
- DRIVE MODE: 1 / 16 DUTY, 1 / 4 BIAS
- OTHER: MECHANICAL TOL. ±0.3 UNLESS SPECIFIED

PIN CONNECTIONS

PIN NO	1	2	3	4	5	6	7	8
SYMBOL	VSS	VDD	V0	RS	R/W	E	DB0	DB1
PIN NO	9	10	11	12	13	14	15	16
SYMBOL	DB2	DB3	DB4	DB5	DB6	DB7	LED+	LED-

BLOCK DIAGRAM

