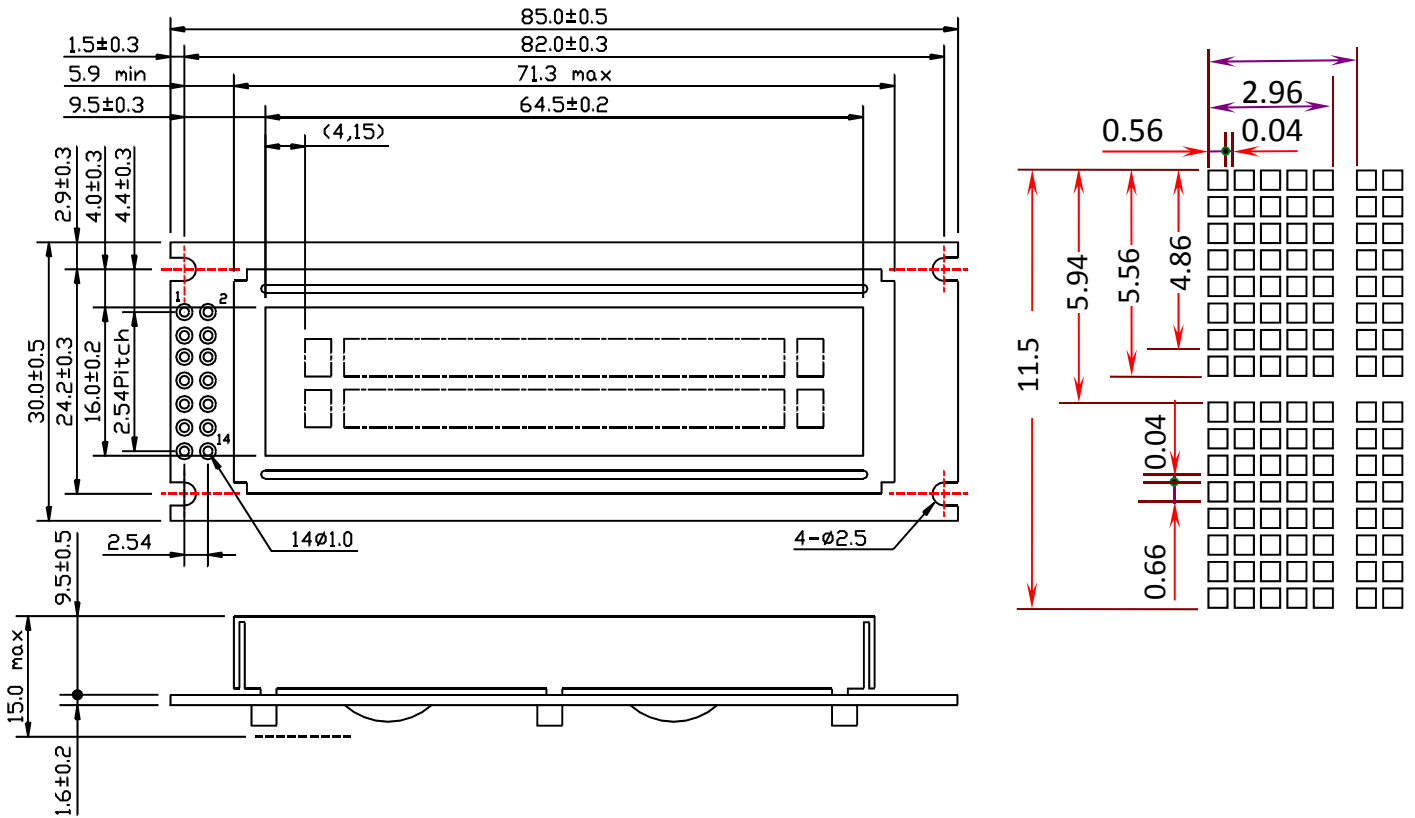


EXTERNAL DIMENSION



PIN CONNECTIONS

PIN NO	1	2	3	4	5	6	7
SYMBOL	DB7	DB6	DB5	DB4	DB3	DB2	DB1
PIN NO	8	9	10	11	12	13	14
SYMBOL	DB0	E	R/W	RS	VO	VSS	VDD

BLOCK DIAGRAM

