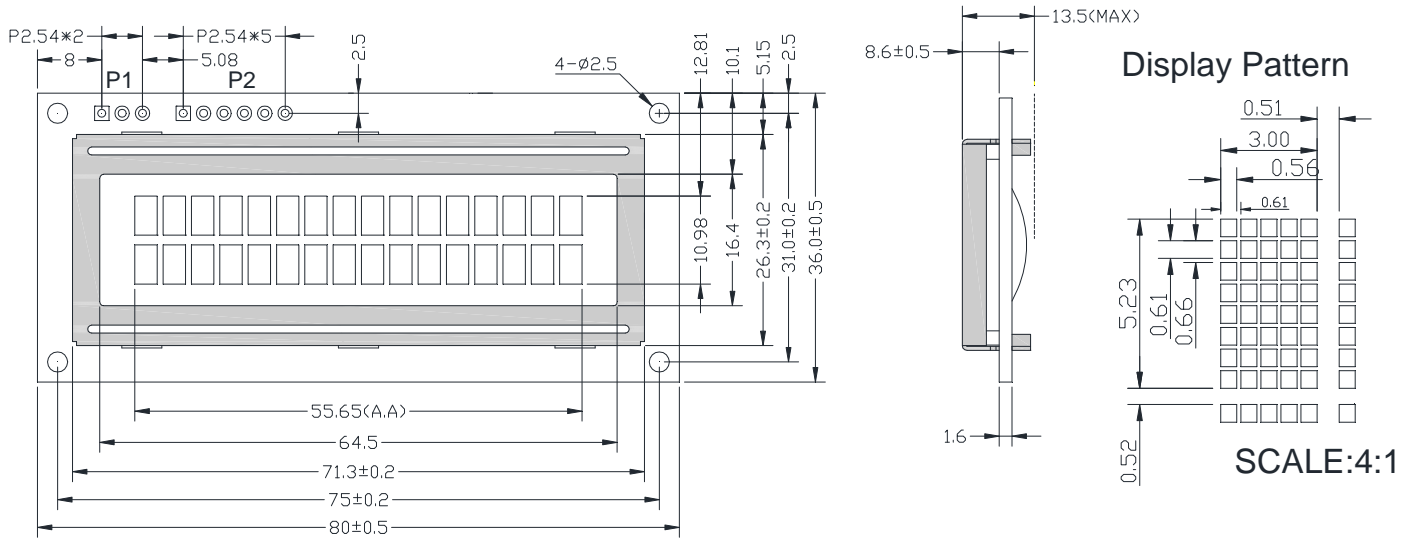


**EXTERNAL DIMENSION**



Specification:

- 1). Driving: Duty:1/16, Bias:1/5, VLCD:4.5V, VDD:5.0V
- 2). Viewing Direction: 6 O'clock
- 3). Operating temp.: -20°C~+70°C  
Storage temp.: -30°C~+80°C
- 4). Driver : SPLC780D And PIC16F690 MPU

**PIN CONNECTIONS**

P1	PIN NO	1	2	3			
	SYMBOL	RX	VSS	VDD			
P2	PIN NO	1	2	3	4	5	6
	SYMBOL	SPISS	SDO	SCK/SCL	SDI/SDA	VSS	VDD

**BLOCK DIAGRAM**

