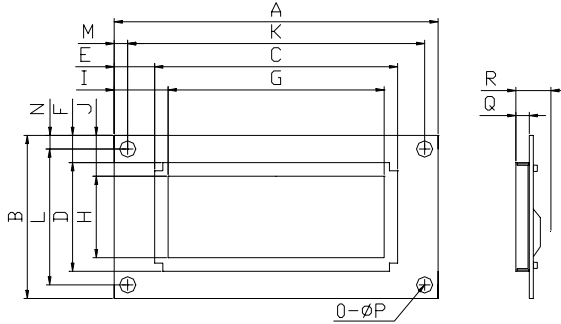




## CHECK POINTS OF CUSTOM DESIGNED LCD MODULE

### 1. DIMENSIONS



· MODULE SIZE : A \_\_\_\_\_ B \_\_\_\_\_  
 · LCD HOUSING : C \_\_\_\_\_ D \_\_\_\_\_  
                   E \_\_\_\_\_ F \_\_\_\_\_  
 · VIEWING AREA : G \_\_\_\_\_ H \_\_\_\_\_  
                   I \_\_\_\_\_ J \_\_\_\_\_

· MOUNTING HOLE : K \_\_\_\_\_ L \_\_\_\_\_  
   M \_\_\_\_\_ N \_\_\_\_\_  
 · THICKNESS : Q \_\_\_\_\_ R \_\_\_\_\_  
 · HOLE DIAMETER : P \_\_\_\_\_

### 2. Display Contents

Character type \_\_\_\_\_ characters \_\_\_\_\_ lines  
 Character font \_\_\_\_\_ x \_\_\_\_\_ mm + cursor  
 Graphic type \_\_\_\_\_ dots  
 Others \_\_\_\_\_

### 7. Backlight

	Without	With		
· Type :	EL	LED	CCFL	Others
· Color :	_____			
· Inverter :	Need	No Need		

### 3. LCD

· Viewing angle : 6 O'clock    12 O'clock  
                                   Other \_\_\_\_\_ O'clock  
 · Type : TN    STN    FSTN    Others  
           Positive type    Negative type  
           Reflective        Transmissive  
           Transflective  
 · Background color : Y-G    Gray  
                                   Blue    B/W

### 8. Material

· PCB :	FR-4	CEM-3	Others
	Thick _____		
· Bezel :	SPCC.	SUS.	SECC
	Other	Plating    Printing	

### 4. Driving method

· Multiplexing : 1/\_\_\_\_\_ Duty, 1/\_\_\_\_\_ Bias  
 · Frame frequency : \_\_\_\_\_ HZ  
 · Power supply : Single : VDD : V  
                                   Dual power : VDD : V  
   VEE : V

### 5. Driving IC

· LCD driver : Segment \_\_\_\_\_  
                                   Common \_\_\_\_\_  
 · Controller : \_\_\_\_\_ Built - in type  
   Attached type

### 6. Terminal

Pattern only : Top / Bottom / Left / Right  
 Connector : Model No. \_\_\_\_\_

### 9. Temperature Range

· Operating temperature range  
 : \_\_\_\_\_ °C to \_\_\_\_\_ °C  
 · Storage temperature range  
 : \_\_\_\_\_ °C to \_\_\_\_\_ °C

### 10. Application

### 11. Schedule

Estimate  
 · Sample Delivery Date : \_\_\_\_\_  
 Quantity \_\_\_\_\_ Per month  
 · Mass production Date : \_\_\_\_\_  
 Quantity \_\_\_\_\_ Per month