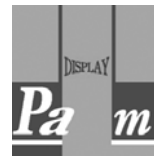
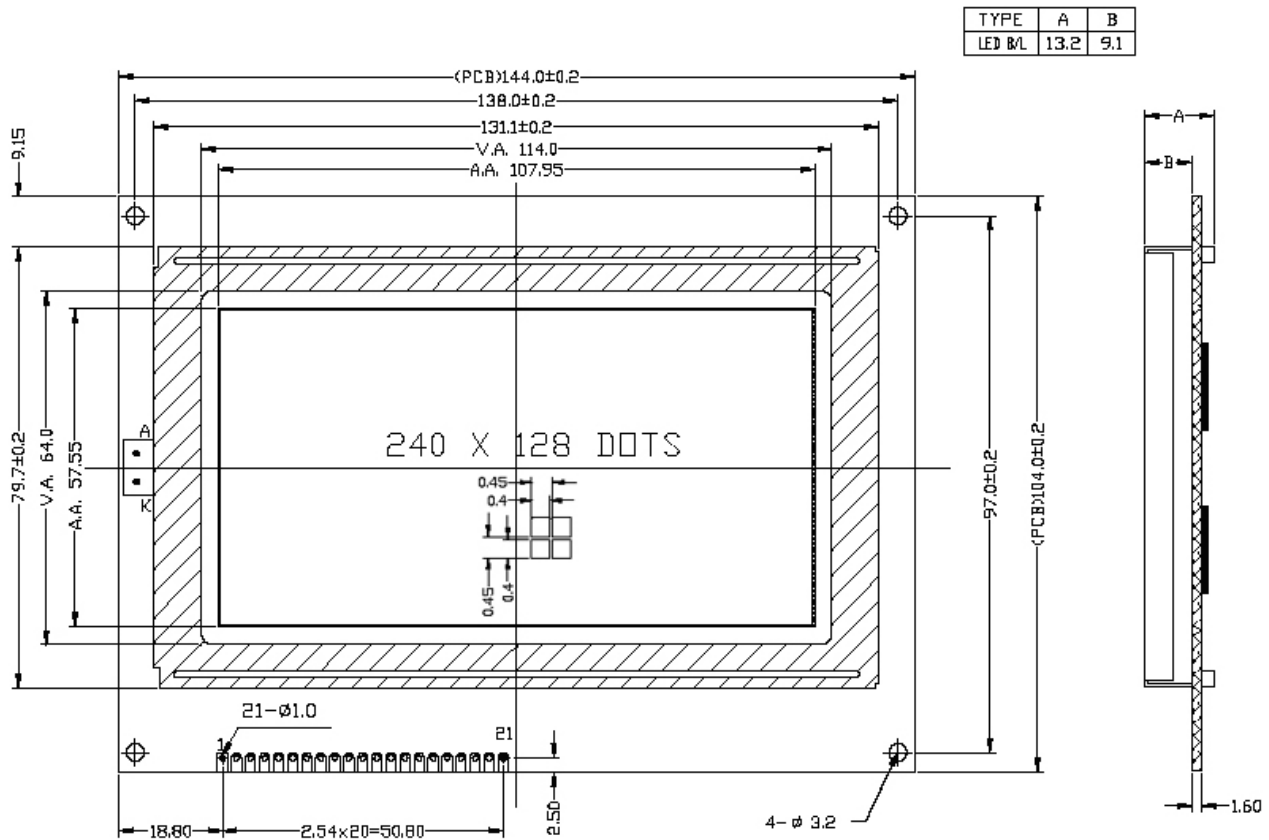


PQG2412 A SERIES (240 * 128 DOTS)



魔誼科技股份有限公司
Palm Technology Co., Ltd

EXTERNAL DIMENSION



DOTS SCALE: 10:1

NOTES:

1. DISPLAY TYPE : FSTN/Transflective/Positive
2. LCD DRIVING VOLTAGE : 16.1V
3. LOGIC VOLTAGE : 5V
4. VIEWING DIRECTION : 6 O'CLOCK.
5. OPERATING TEMP : -20°C~70°C.

6. STORAGE TEMP : -30°C~80°C
 7. BACKLIGHT : LED WHITE/5V/SIDE
 8. DRIVE MODE : 1/128 DUTY, 1/12 BIAS
 9. DRIVE IC : T6963C T6A39 T6A40
- MECHANICAL TOL. ±0.2 UNLESS SPECIFIED

PIN CONNECTIONS

PIN NO	1	2	3	4	5	6	7	8	9	10	11
SYMBOL	FG	GND	VDD	V0	/WR	/RD	/CE	C/D	/RST	DB0	DB1
PIN NO	12	13	14	15	16	17	18	19	20	21	
SYMBOL	DB2	DB3	DB4	DB5	DB6	DB7	FS	VEE	LED+	LED-	