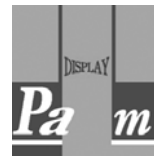
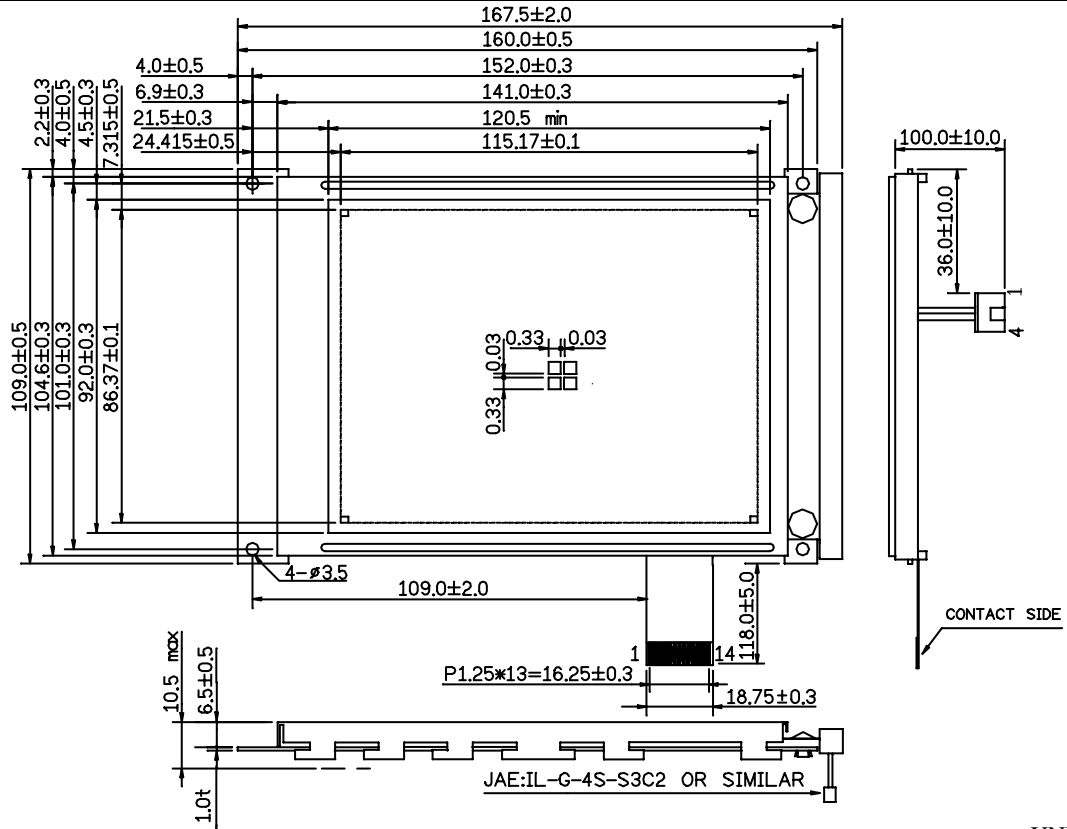


PMG3224 A SERIES (320 * 240 DOTS)



魔誼科技股份有限公司
Palm Technology Co., Ltd

EXTERNAL DIMENSION



UNIT: mm

PIN CONNECTIONS: CN1

PIN NO	1	2	3	4	5	6	7	8	9	10	11	12	13	14
SYMBOL	D0	D1	D2	D3	DISPOFF	FLM	N.C	LOAD	CP	VDD	VSS	VEE	V0	FG

CCFL PIN CONNECTIONS: CN2

PIN NO	1	2	3	4
SYMBOL	VCCFL	N.C	NC.	VCCFL

BLOCK DIAGRAM

