

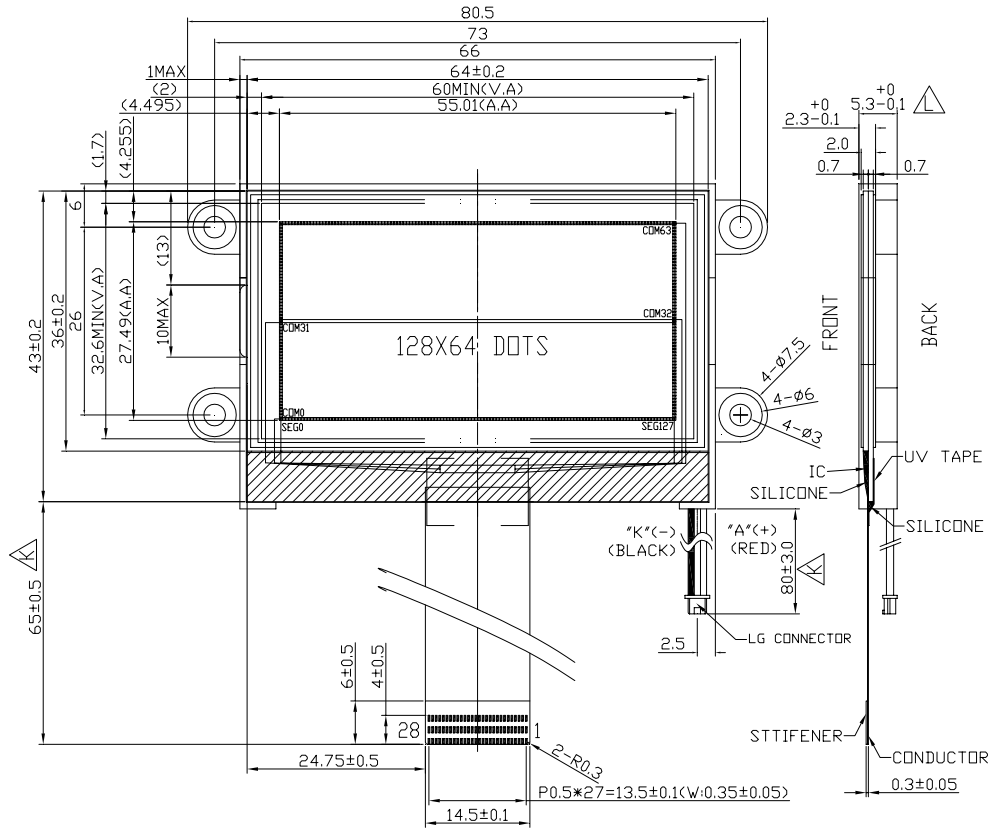
# PHG1206X SERIES (128 \* 64 DOTS)



龐誼科技股份有限公司

Palm Technology Co., Ltd.

## EXTERNAL DIMENSION



### NOTE:

- 1 DISPLAY TYPE: FSTN  $\triangle$
- 2 POLARIZER MODE: TRANSFLECTIVE/POSITIVE
- 3 VIEWING DIRECTION: 6:00
- 4 DRIVE METHOD: 1/65 DUTY, 1/9 BIAS
- 5 OPERATING VOLTAGE: 8.0 V  $\triangle$
- 6 OPERATING TEMP.: -10 °C ~+50 °C
- 7 STORAGE TEMP.: -20 °C ~+ 60 °C
- 8 IC:NT7532H-BDT
- 9 BACK LIGHT: LED (YELLOW GREEN)  $\triangle$
- 10 BRIGHTNESS OF BLU: >6 cd/m<sup>2</sup>(WITH LCD)  
(V<sub>f</sub>=3.7V<type>,I<sub>f</sub>=100mA(max.))

## PIN CONNECTIONS

PIN NO	1	2	3	4	5	6	7	8	9	10	11	12	13	14
SYMBOL	CS1	/RES	A0	WR	RD	D0	D1	D2	D3	D4	D5	D6	D7	VDD
PIN NO	15	16	17	18	19	20	21	22	23	24	25	26	27	28
SYMBOL	VSS	VOUT	CAP3+	CAP1-	CAP1+	CAP2+	CAP2-	V1	V2	V3	V4	V0	VR	IRS