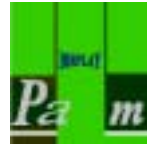


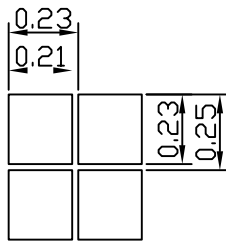
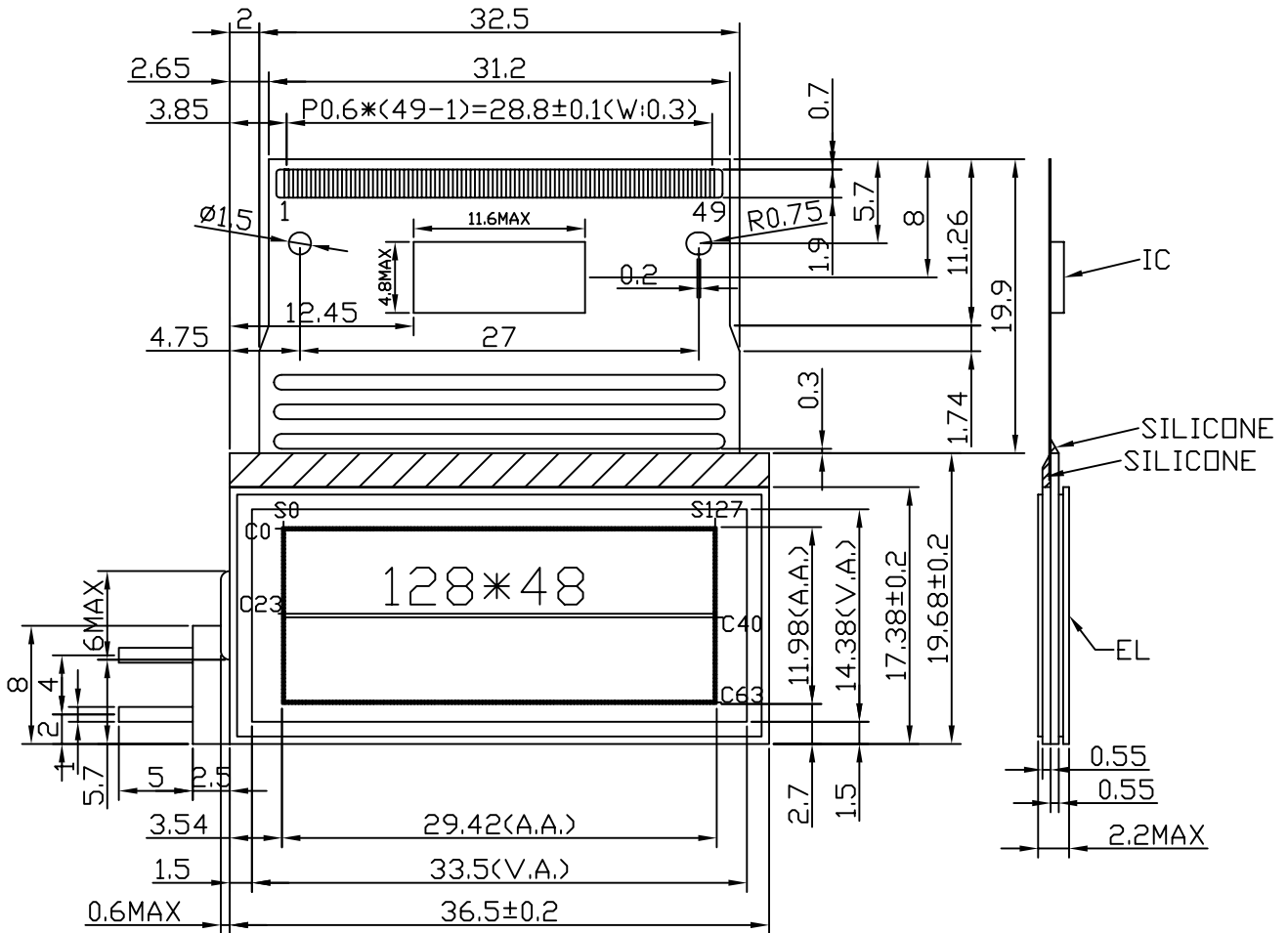
PHG1204A SERIES (128 * 48 DOTS)



龐誼科技股份有限公司

Palm Technology Co., Ltd.

EXTERNAL DIMENSION



DOTS DETAIL
(SCAL)

NOTE:

- 1 DISPLAY TYPE: **FSTN**
- 2 POLARIZER MODE: **TRANSFLECTIVE/POSITIVE**
- 3 VIEWING DIRECTION: **6:00**
- 4 DRIVE METHOD: **1/49 DUTY, 1/7 BIAS**
- 5 OPERATING VOLTAGE: **8.0V**, VDD: **2.8V**
- 6 OPERATING TEMP: **-20°C ~ +70°C**
- 7 STORAGE TEMP: **-30°C ~ +80°C**
- 8 DRIVE IC: **NT7534**

PIN CONNECTIONS

PIN NO	1	2	3	4	5	6	7	8	9	10	11	12	13	14	15	16	17	18	19	20	21	22	23	24	25	26
SYMBOL	NC	NC	NC	NC	FR	CL	DOF	NC	CSI	CS1	RES	AD	R/W	E	D0	D1	D2	D3	D4	D5	D6	D7	DUTY0	DUTY1	VDD	VDD2
PIN NO	27	28	29	30	31	32	33	34	35	36	37	38	39	40	41	42	43	44	45	46	47	48	49			
SYMBOL	VSS	VDOUT	NC	CAP3+	CAP1-	CAP1+	CAP2+	CAP2-	VEXT	VRS	V1	V2	V3	V4	V0	VR	M/S	CLS	C86	P/S	HFM	IRS	NC			