

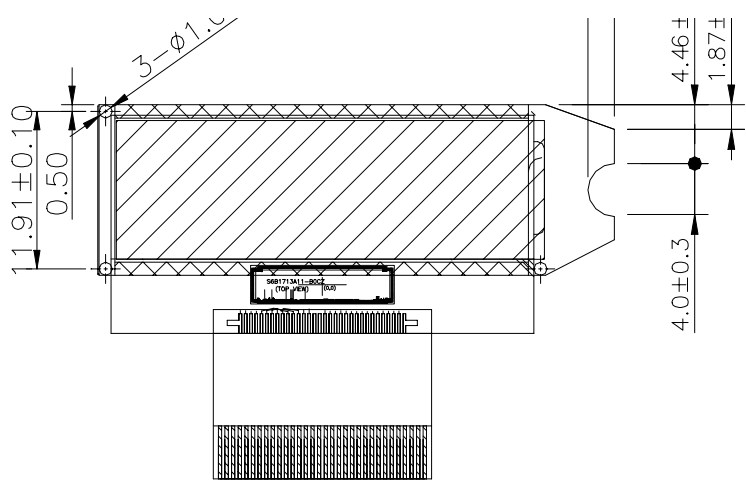
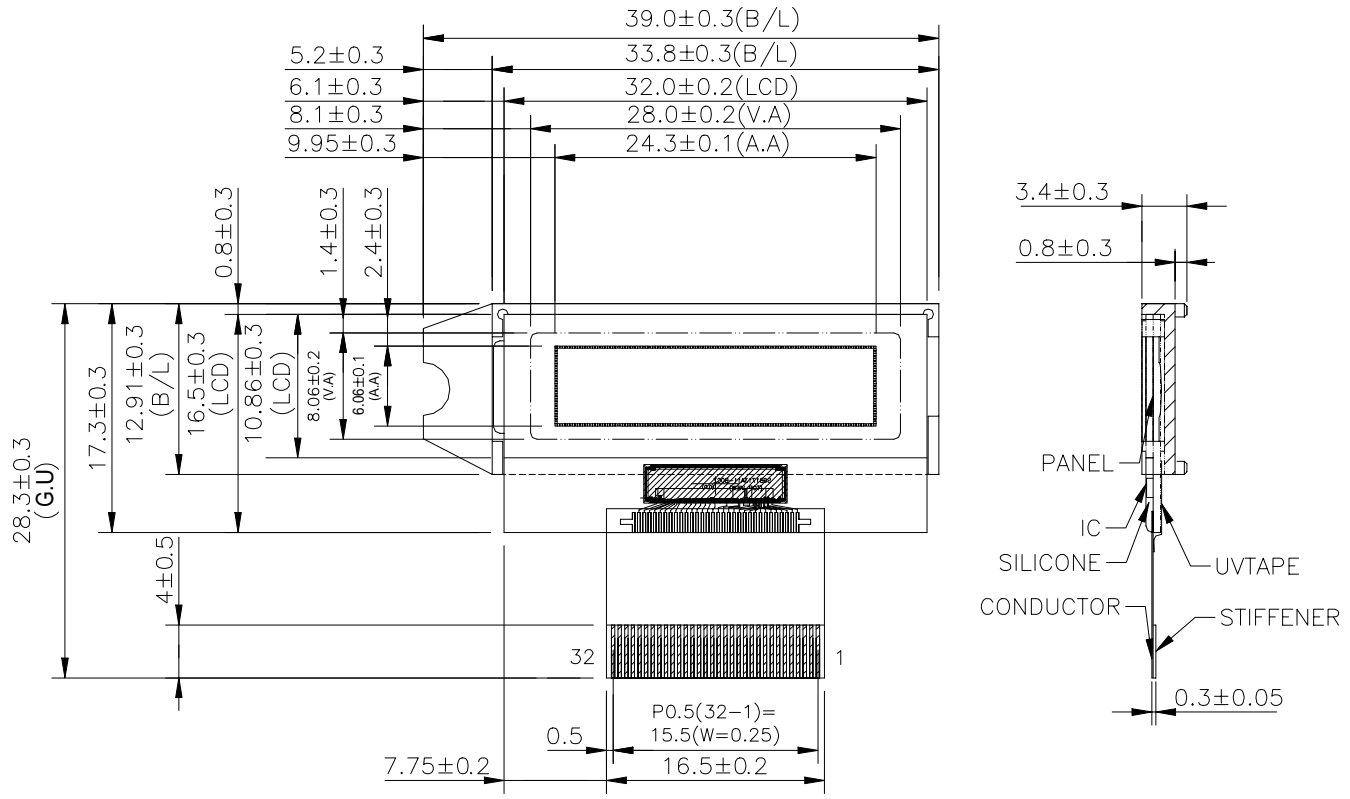
PHG1203A SERIES (128 * 32 DOTS)



龐誼科技股份有限公司

Palm Technology Co., Ltd.

EXTERNAL DIMENSION



PIN CONNECTIONS

PIN NO	1	2	3	4	5	6	7	8	9	10	11	12	13	14	15	16	17	18	19	20	21	22	23	24	25	26	27	28	29	30	31	32
SYMBOL	/CS	/RES	D/C	R/W	E	D0	D1	D2	D3	D4	D5	D6	D7	MI	PS	VSS	VDD	VOUT	C3+	C3-	C1+	C1-	C2+	C2-	VR	V0	V1	V2	V3	V4	INTRS	NC