

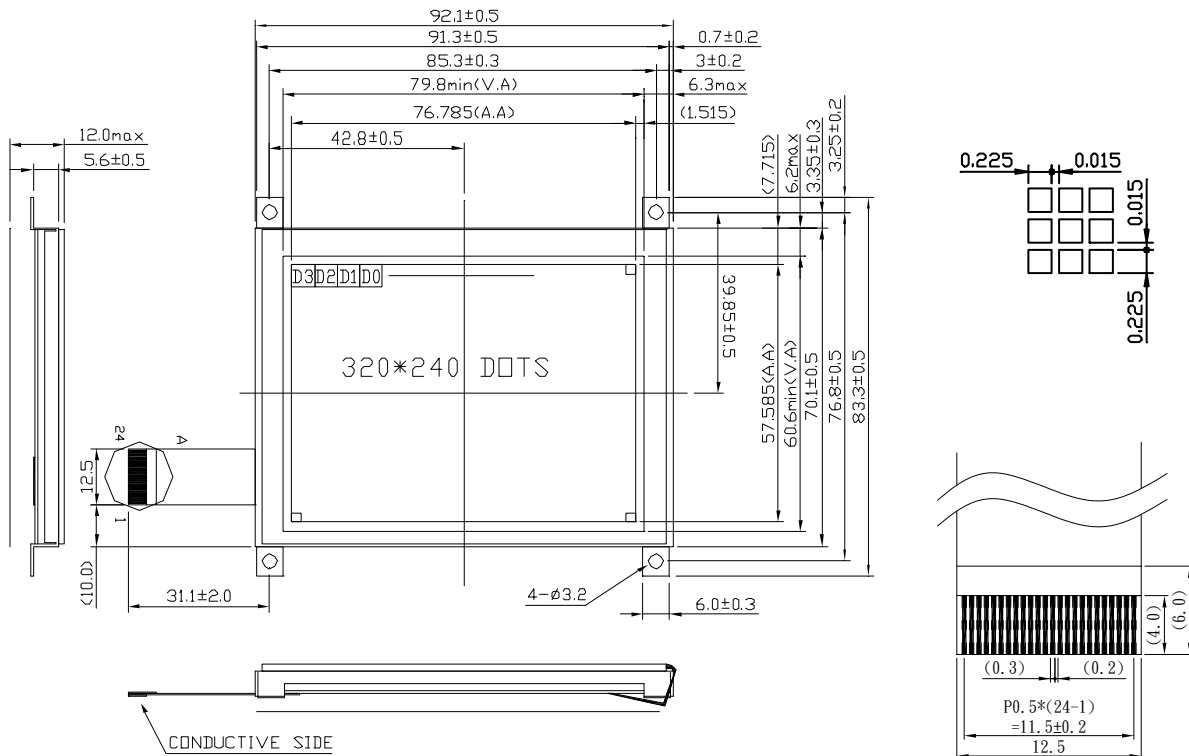
PMGG2432B SERIES (320 * 240 DOTS)



龐誼科技股份有限公司

Palm Technology Co., Ltd.

EXTERNAL DIMENSION



PIN CONNECTIONS

<i>PIN NO</i>	1	2	3	4	5	6	7~14	15	
<i>SYMBOL</i>	VSS	VDD	VO	A0	WR (R/W)	RD/E	D0~D7	CS	
<i>PIN NO</i>	16	17	18	19	20	21	22	23	24
<i>SYMBOL</i>	RES	VEE	SEL1	A (+)	K (-)	Y1	X1	Y2	X2

BLOCK DIAGRAM

