

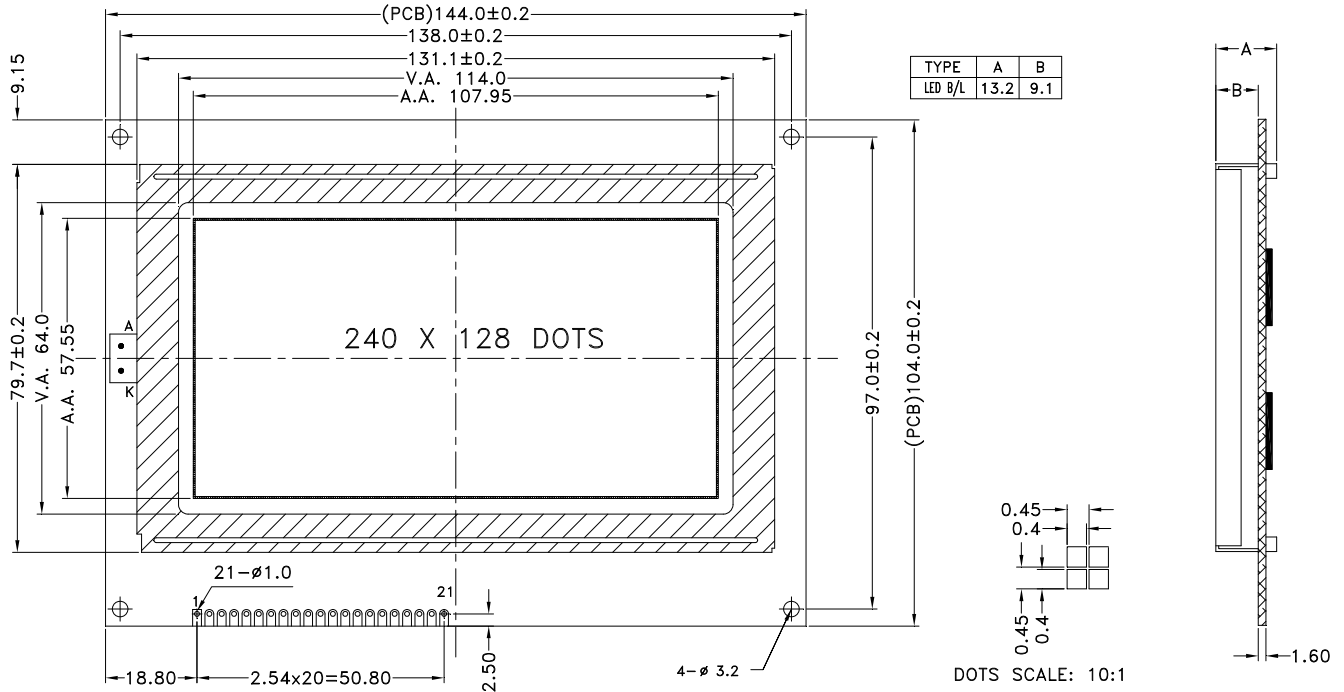
PQG2412A SERIES (240 * 128 DOTS)



龐誼科技股份有限公司

Palm Technology Co., Ltd.

EXTERNAL DIMENSION



NOTES:

1. DISPLAY TYPE : STN/TRANSMISSIVE/NEGATIVE/BLUE
 2. LCD DRIVING VOLTAGE :16.1V
 3. LOGIC VOLTAGE : 5V
 4. VIEWING DIRECTION : 6 0°CLOCK.
 5. OPERATING TEMP : -20°C~70°C.
 6. STORAGE TEMP : -30°C~80°C
 7. BACKLIGHT : LED WHITE/5V/SIDE
 8. DRIVE MODE : 1/128 DUTY,1/12 BIAS
 9. DRIVE IC : T6963C T6A39 T6A40
- MECHANICAL TOL. ±0.2 UNLESS SPECIFIED

PIN CONNECTIONS

PIN NO	1	2	3	4	5	6	7
SYMBOL	FGND	VSS	VDD	V0	/WR	/RD	/CS(CE)
PIN NO	8	9	10~17	18	19	20	21
SYMBOL	C /D	/RST	DB0~DB7	FS	VEE	LED+	LED-

BLOCK DIAGRAM

