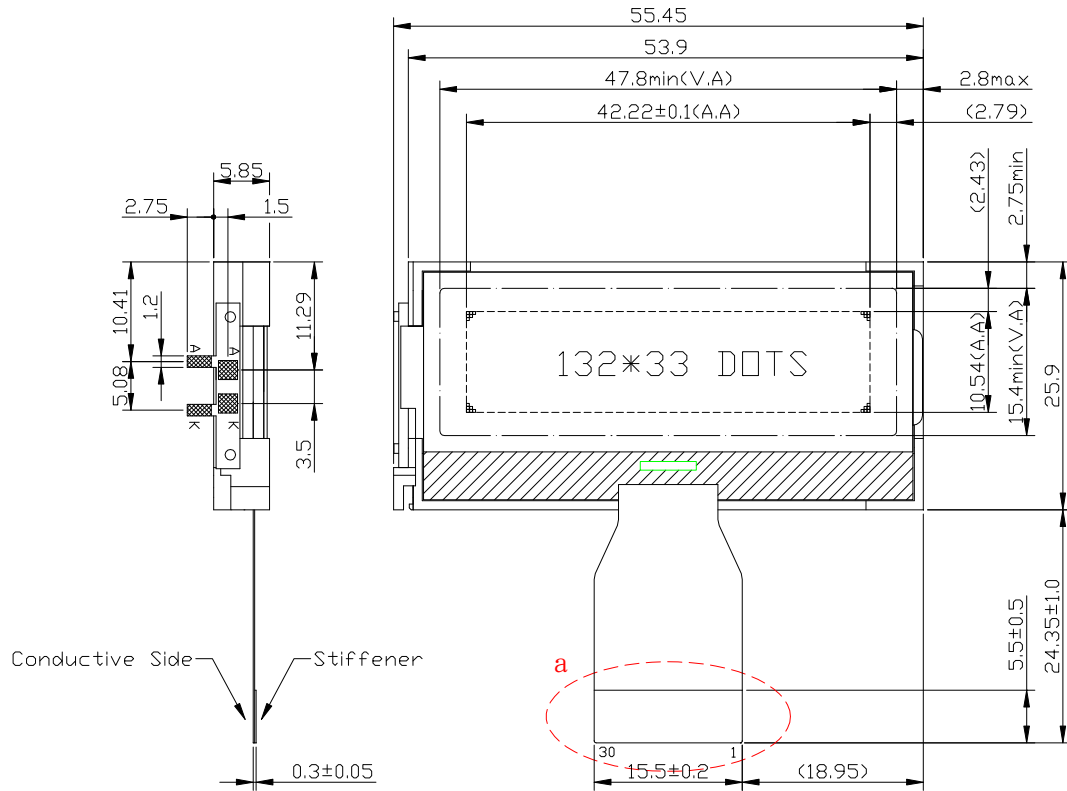
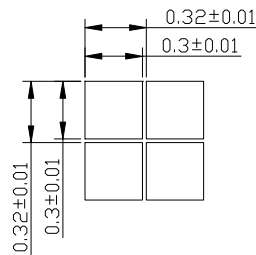


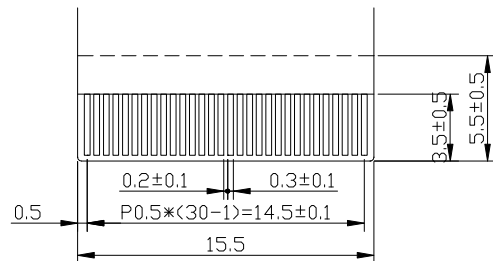
**EXTERNAL DIMENSION**



Detail of DOTS :



Detail of "a" :



**PIN CONNECTIONS**

PIN NO	1	2	3	4	5	6	7	8	9	10
SYMBOL	$\overline{\text{RES}}$	$\overline{\text{CS1}}$	CS2	A0	$\overline{\text{R/W}}$	E	D0	D1	D2	D3
					$\overline{\text{WR}}$	$\overline{\text{RD}}$				
PIN NO	11	12	13	14	15	16	17	18	19	20
SYMBOL	D4	D5	D6(SCL)	D7(SI)	VDD	VSS	VOUT	CAP4+	CAP3+	CAP1-
PIN NO	21	22	23	24	25	26	27	28	29	30
SYMBOL	CAP1+	CAP2+	CAP2-	V1	V2	V3	V4	V0	C86	PS