

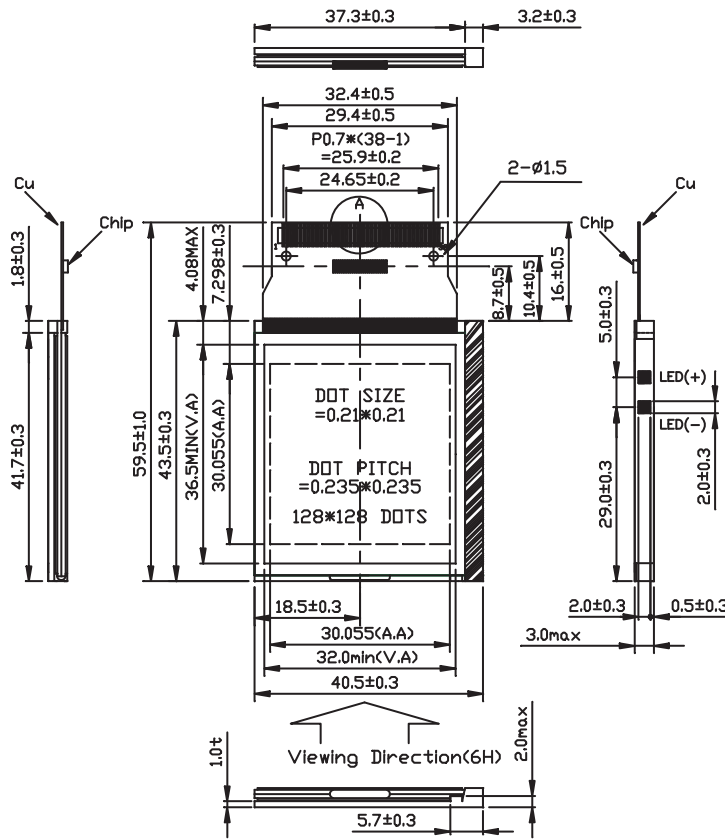
PMG1212E SERIES (128 * 128 DOTS)



龐誼科技股份有限公司

Palm Technology Co., Ltd.

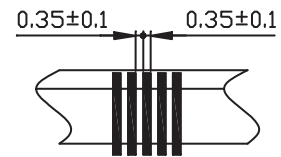
EXTERNAL DIMENSION



NOTE:

- (1) UNIT : mm
- (2) SCALE : NTS

DETAIL "A"



PIN CONNECTIONS

PIN NO	1	2	3	4	5	6	7	8	9~16	
SYMBOL	NC	PS0	PS1	CSB	RESETB	RS	R \bar{W} / $\bar{W}R$	E/ $\bar{R}D$	DB0~DB7	
PIN NO	17	18	19	20	21	22	23	24	25	26
SYMBOL	VDD	VCI	VSS	VOUT	C5+	C3+	C1-	C1+	C2+	C2-
PIN NO	27	28	29	30	31~35	36	37	38	39	40
SYMBOL	C4+	REF	VEXT	INTRS	V4~V0	VR	OSC1	NC	LED (+)	LED (-)

BLOCK DIAGRAM

