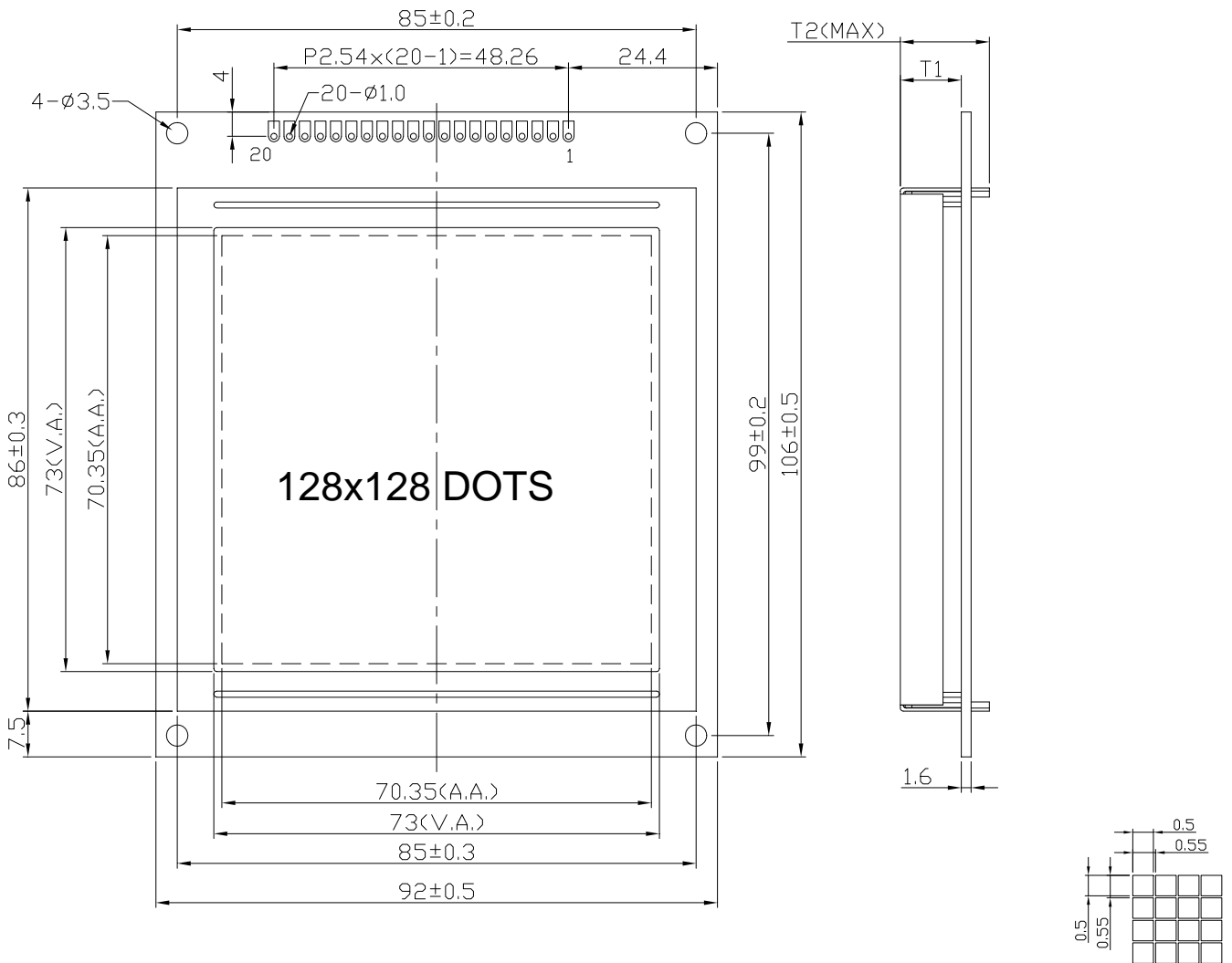


PLG1212B SERIES (128 * 128 DOTS)



龐誼科技股份有限公司
Palm Technology Co., Ltd.

EXTERNAL DIMENSION



Feature:

1. LCD Type: STN(Bule),transmissive, Negative
2. Viewing angle: 6:00
3. Controller: T6963C
4. Backlight : LED sidelight(Color : white)
5. ROHS Compliant

Mechanical thickness

LCD Module thickness	T1	T2	UNIT
Without or EL backlight	5.4	12	mm
With edge LED backlight	10.0	16.5	
With LED bottom backlight	10.0	16.5	

PIN CONNECTIONS

<i>PIN NO</i>	1	2	3	4	5	6	7	8	9	10
<i>SYMBOL</i>	FGND	VSS	VDD	V0	/WR	/RD	/CE	C/D	/RST	DB0
<i>PIN NO</i>	11	12	13	14	15	16	17	18	19	20
<i>SYMBOL</i>	DB1	DB2	DB3	DB4	DB5	DB6	DB7	FS	LED+	LED-