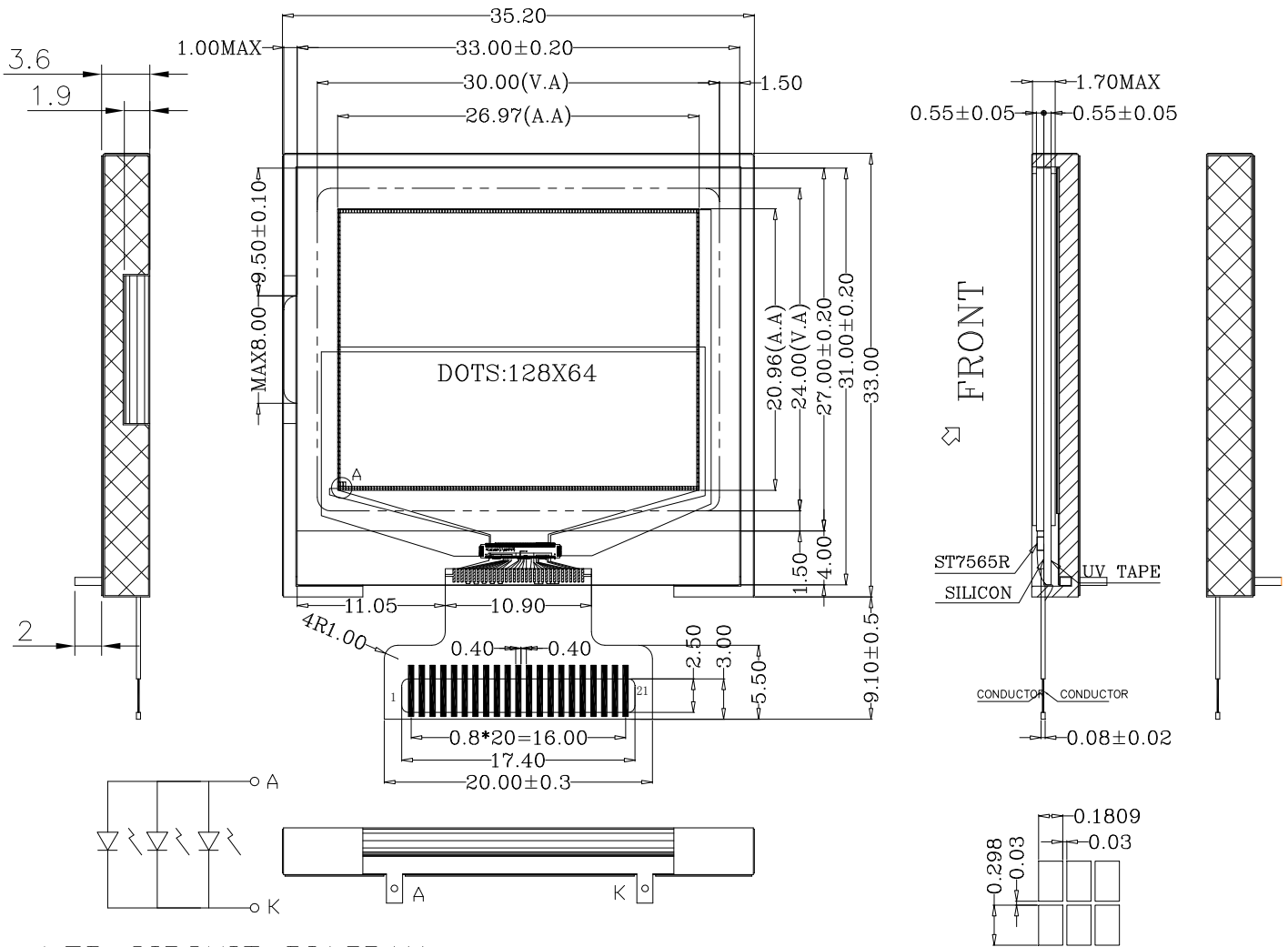


PHG12A06D SERIES (128 * 64 DOTS)



龐誼科技股份有限公司
Palm Technology Co., Ltd.

EXTERNAL DIMENSION



LED CIRCUIT DIAGRAM

NOTE:

- | | |
|---|---|
| 1 DISPLAY TYPE: FSTN | 7 STORAGE TEMP: -20°C ~ +70°C |
| 2 POLARIZER MODE: TRANSMISSIVE/NEGATIVE | 8 DRIVE IC: ST7565R(COG) |
| 3 VIEWING DIRECTION: 6:00 | 9 CONNECTOR: FPC |
| 4 DRIVE METHOD: 1/65 DUTY, 1/9 BIAS | 10 BACKLIGHT: LED<WHITE><Vf=3.3V,If=45mA> |
| 5 OPERATING VOLTAGE: 8.4V | 11 GENERAL TOLERANCE: ±0.2 |
| 6 OPERATING TEMP: -10°C ~ +60°C | 12 RoHS |

PIN CONNECTIONS

PIN NO	1	2	3~7	8	9	10	11	12	
SYMBOL	IRS	VR	V0~V4	CAP4+(NC)	CAP2-	CAP2+	CAP1+	CAP1-	
PIN NO	13	14	15	16	17	18	19	20	21
SYMBOL	CAP3+	VOUT	VSS	VDD	D7	D6	A0	REST	CS1