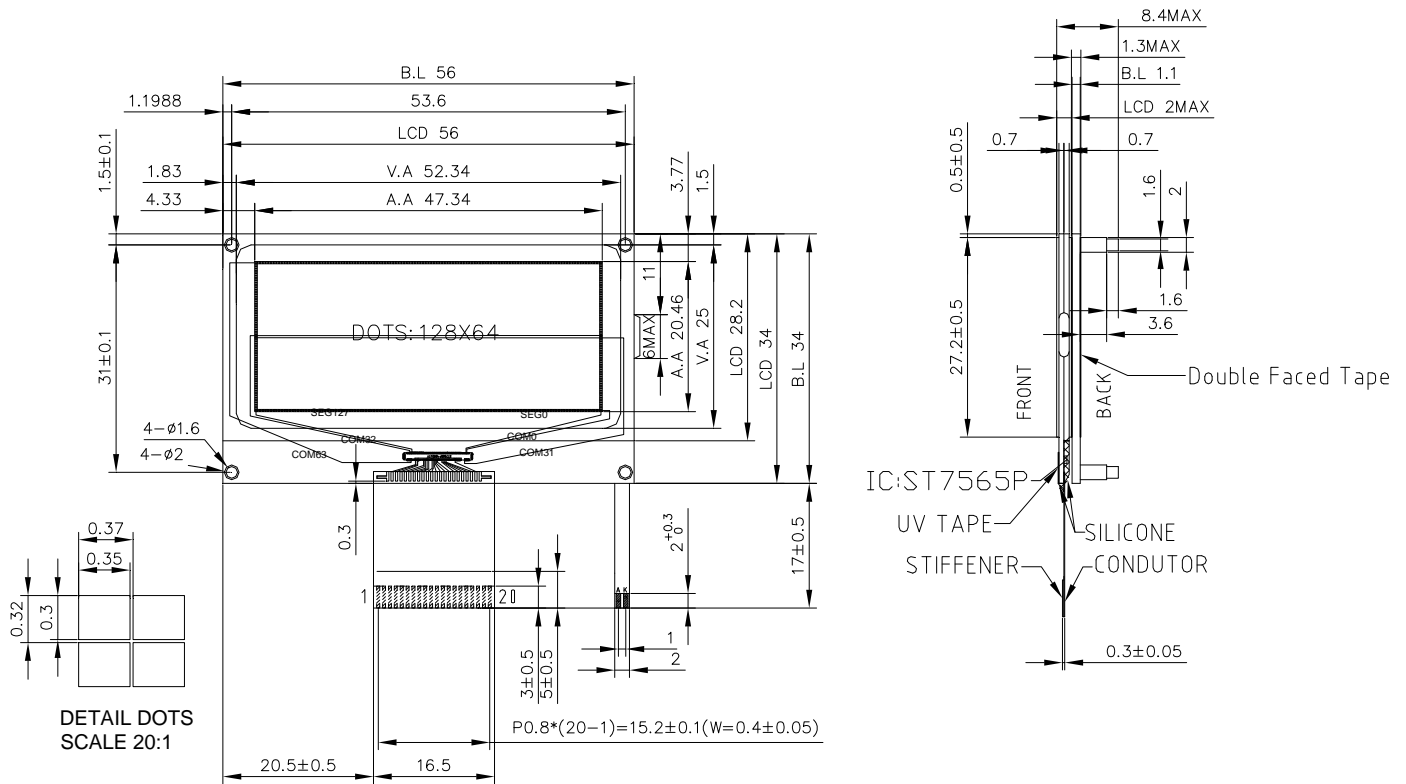


PHG1206T SERIES (128 * 64 DOTS)



龐誼科技股份有限公司
Palm Technology Co., Ltd.

EXTERNAL DIMENSION



NOTE:

- | | |
|--|---------------------------------|
| 1 DISPLAY TYPE: STN(GRAY) | 6 OPERATING TEMP: -20°C ~ +70°C |
| 2 POLARIZER MODE: TRANSFLECTIVE/POSITIVE | 7 STORAGE TEMP: -30°C ~ +80°C |
| 3 VIEWING DIRECTION: 6:00 | 8 DRIVE IC: ST7565P(CDG) |
| 4 DRIVE METHOD: 1/65 DUTY, 1/9 BIAS | 9 CONNECTOR: FPC |
| 5 OPERATING VOLTAGE: 9.0V | 10 BACKLIGHT: LED(Y/G) |
| | 11 GENERAL TOLERANCE: ±0.2 |

PIN CONNECTIONS

<i>PIN NO</i>	1	2	3	4	5	6	7	8
<i>SYMBOL</i>	/CS1	/RES	A0	SCL	SI	VDD	VSS	VOUT
<i>PIN NO</i>	9	10	11	12	13	14	15~19	20
<i>SYMBOL</i>	C3+	C1-	C1+	C2+	C2-	C4+	V4~V0	P/S