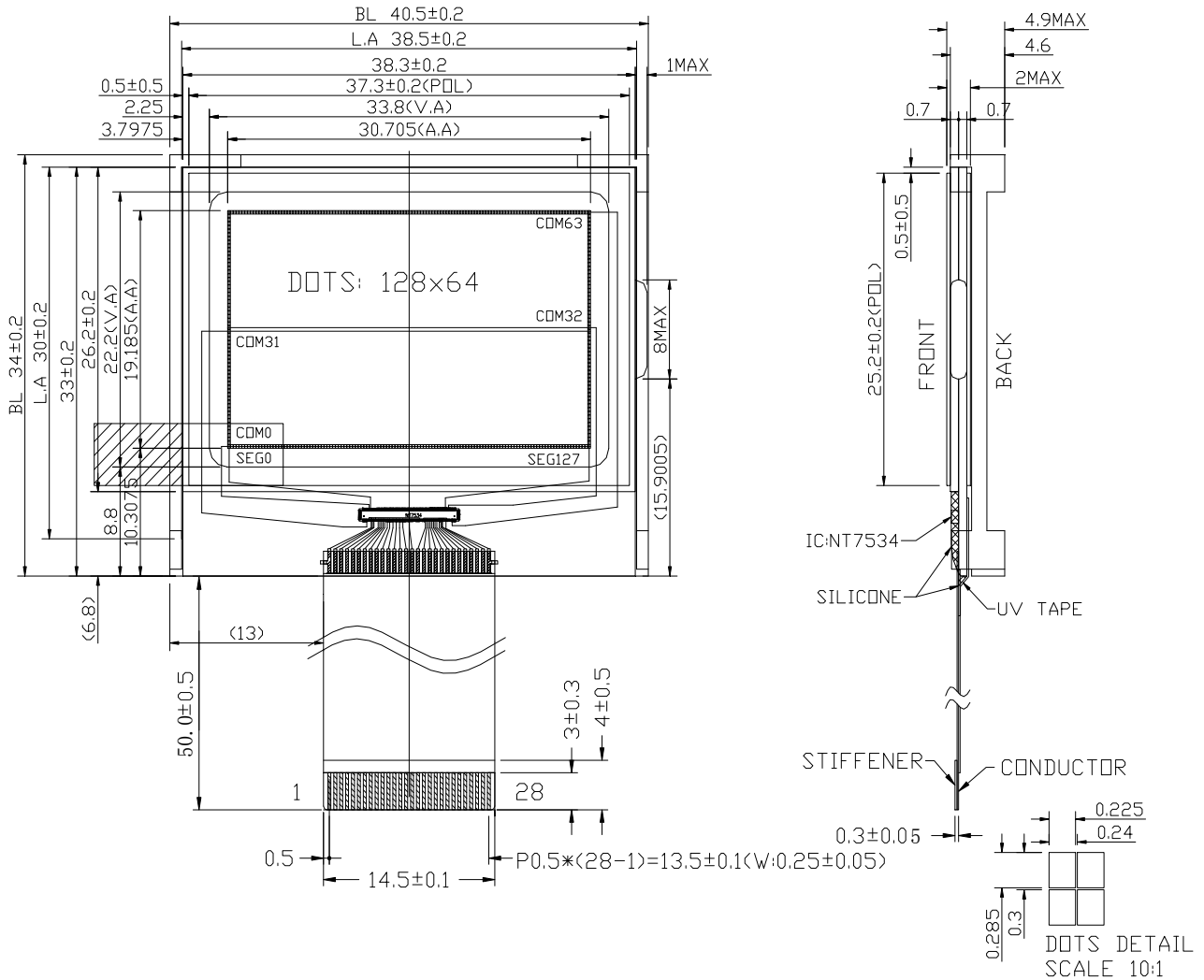


PHG1206A4 SERIES (128 * 64 DOTS)



龐誼科技股份有限公司
Palm Technology Co., Ltd.

EXTERNAL DIMENSION



PIN CONNECTIONS

PIN NO	1	2	3	4	5	6	7	8	9	10
SYMBOL	VDD	C86	VSS	V0	V4	V3	V2	V1	C2-	C2+
PIN NO	11	12	13	14	15	16	17	18	19	20
SYMBOL	C1+	C1-	C3+	VOUT	VSS	D7	D6	D5	D4	D3
PIN NO	21	22	23	24	25	26	27	28		
SYMBOL	D2	D1	D0	E/RD	R/W	A0	/RES	/CS1		