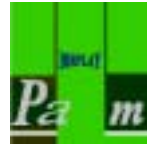


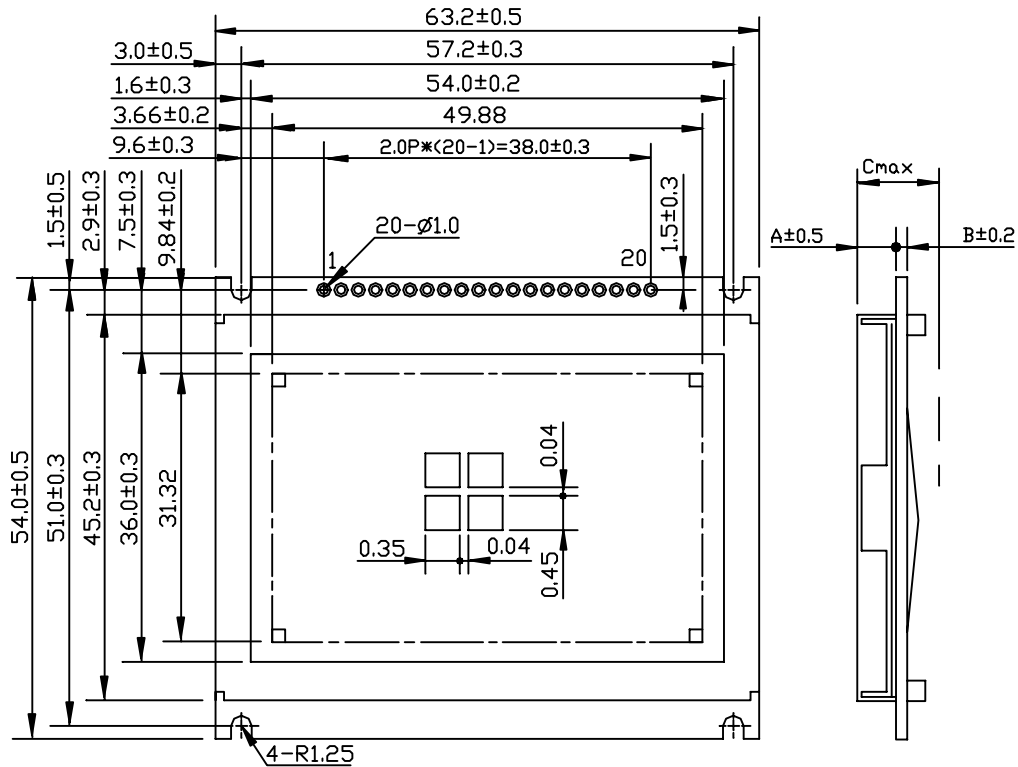
PMG12064E SERIES (128 * 64 DOTS)



龐誼科技股份有限公司

Palm Technology Co., Ltd.

EXTERNAL DIMENSION



THICKNESS	A	B	C	UNIT
EL & NO B.L	4.0	1.2	8.0	mm
LED B.L (edge)	6.0	1.2	10.5	mm
LED B.L (array)	7.0	1.2	11.5	mm

UNIT:mm

PIN CONNECTIONS

PIN NO	1	2	3	4	5	6	7	8	9	10	11	12	13	14	15	16	17	18	19	20
SYMBOL	V _{SS}	V _{DD}	V ₀	D/I	R/W	E	DB0	DB1	DB2	DB3	DB4	DB5	DB6	DB7	CS1	CS2	RST	V _{OUT}	V _{LED(+)}	V _{LED(-)}

BLOCK DIAGRAM

