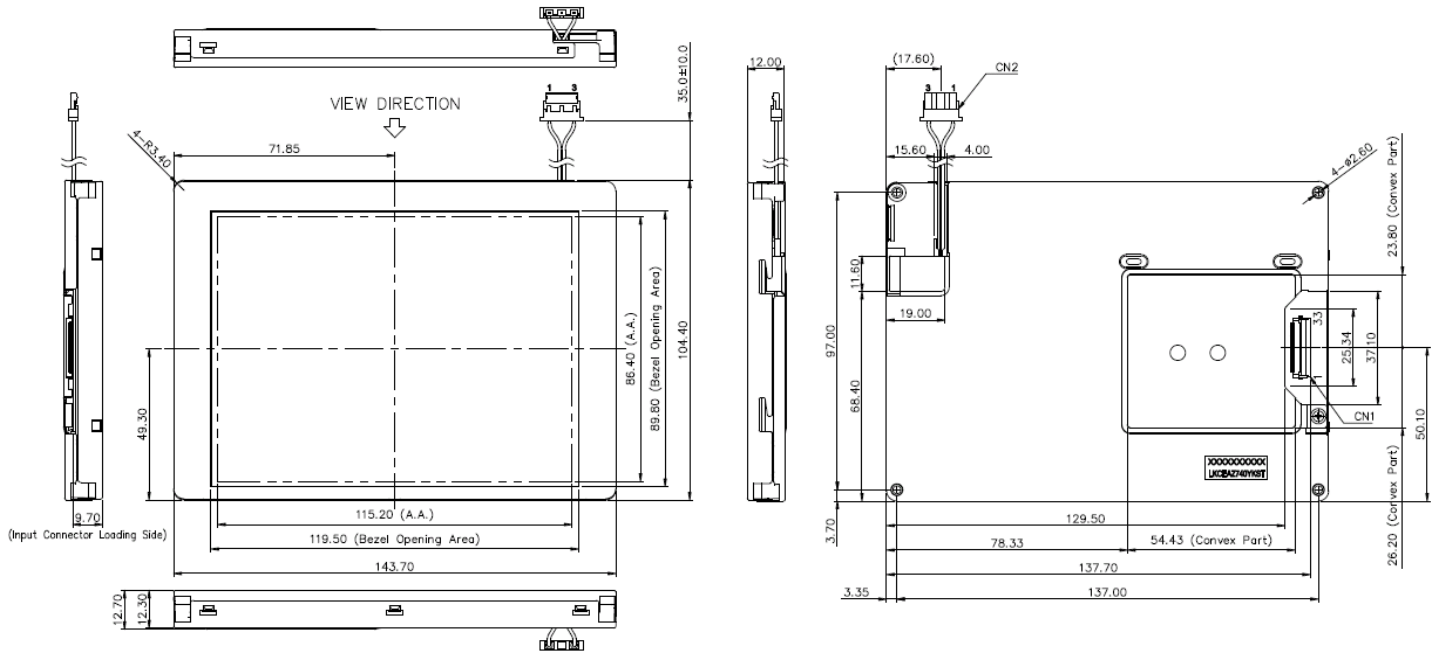


## EXTERNAL DIMENSION



## PIN CONNECTIONS (C/N1)

<i>PIN NO</i>	1	2	3	4	5	6~11	12	13~18	19
<i>SYMBOL</i>	GND	CK	Hsync	Vsync	GND	R0~R5	GND	G0~G5	GND
<i>PIN NO</i>	20~25	26	27	28~29	30	31	32	33	
<i>SYMBOL</i>	B0~B5	GND	ENAB	Vcc	R/L	U/D	NC	GND	

## PIN CONNECTIONS (C/N2)

<i>PIN NO</i>	1	2	3
<i>SYMBOL</i>	K	NC	A

## BLOCK DIAGRAM

