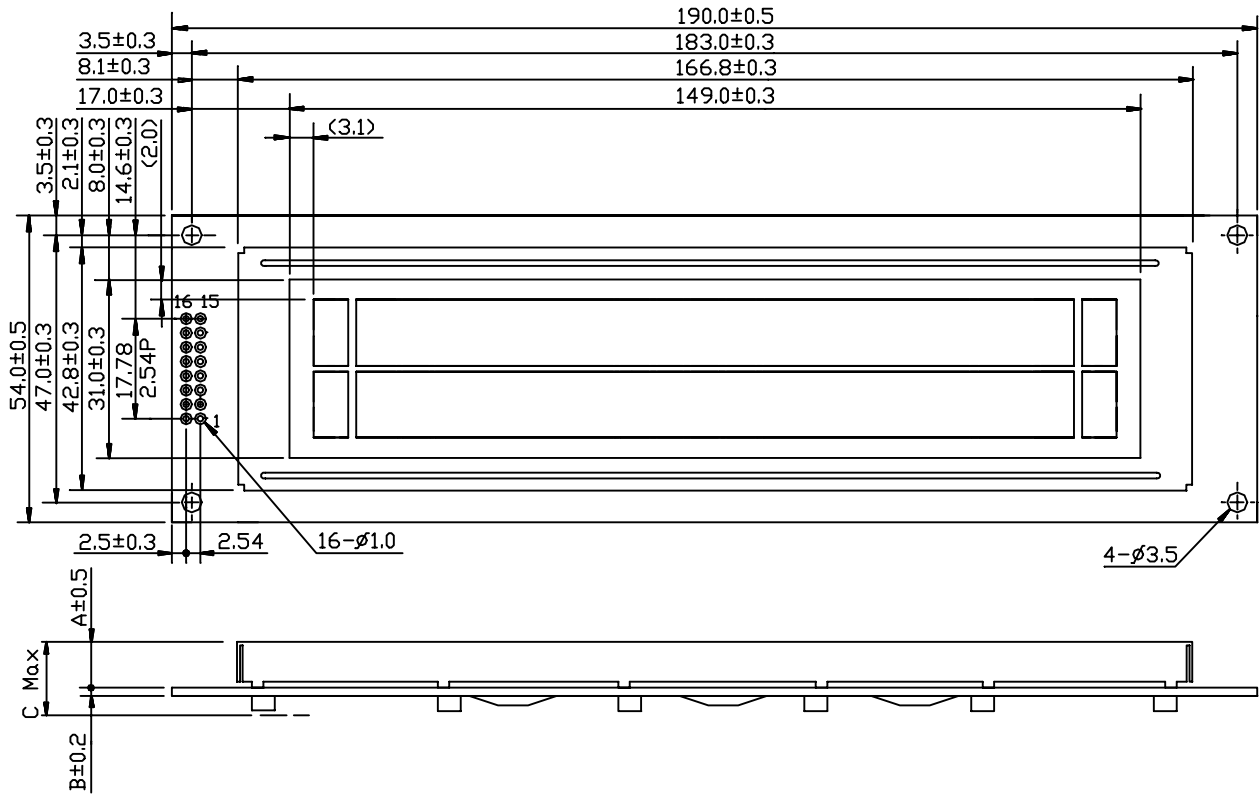
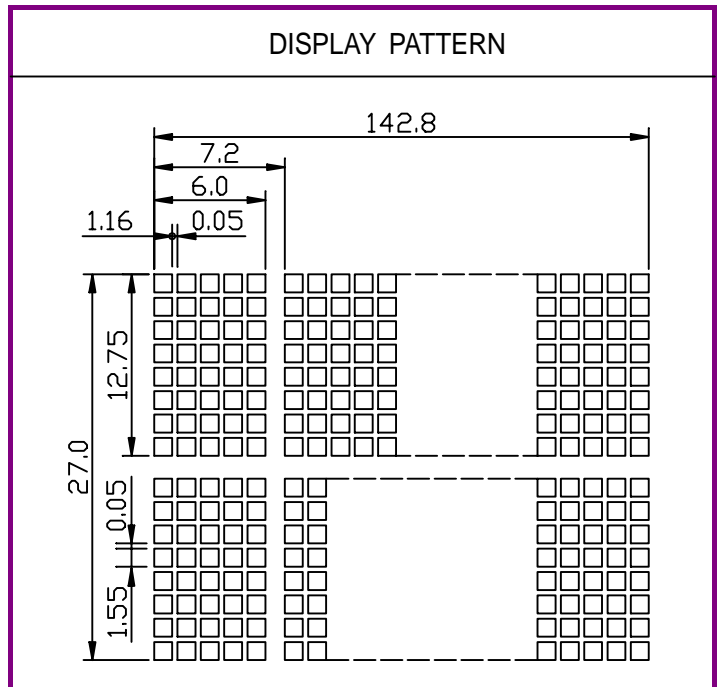


EXTERNAL DIMENSION



UNIT: mm

THICKNESS	A	B	C	UNIT
EL & NO B.L	4.9	1.6	10.0	mm
LED B.L (array&edge)	9.5	1.6	15.0	mm



PIN CONNECTIONS							
PIN NO	1	2	3	4	5	6	7
SYMBOL	VSS	VDD	Vo	RS	R/W	E	DB0
PIN NO	8	9	10	11	12	13	14
SYMBOL	DB1	DB2	DB3	DB4	DB5	DB6	DB7
PIN NO	15		16				
SYMBOL	LED (+)		LED (-)				

DISPLAY DATA ADDRESS CHARTS																				
Character	1	2	3	4	5	6	7	8	9	10	11	12	13	14	15	16	17	18	19	20
Line 1	00	01	02	03	04	05	06	07	08	09	0A	0B	0C	0D	0E	0E	10	11	12	13
Line 2	40	41	42	43	44	45	46	47	48	49	4A	4B	4C	4D	4E	4F	50	51	52	53