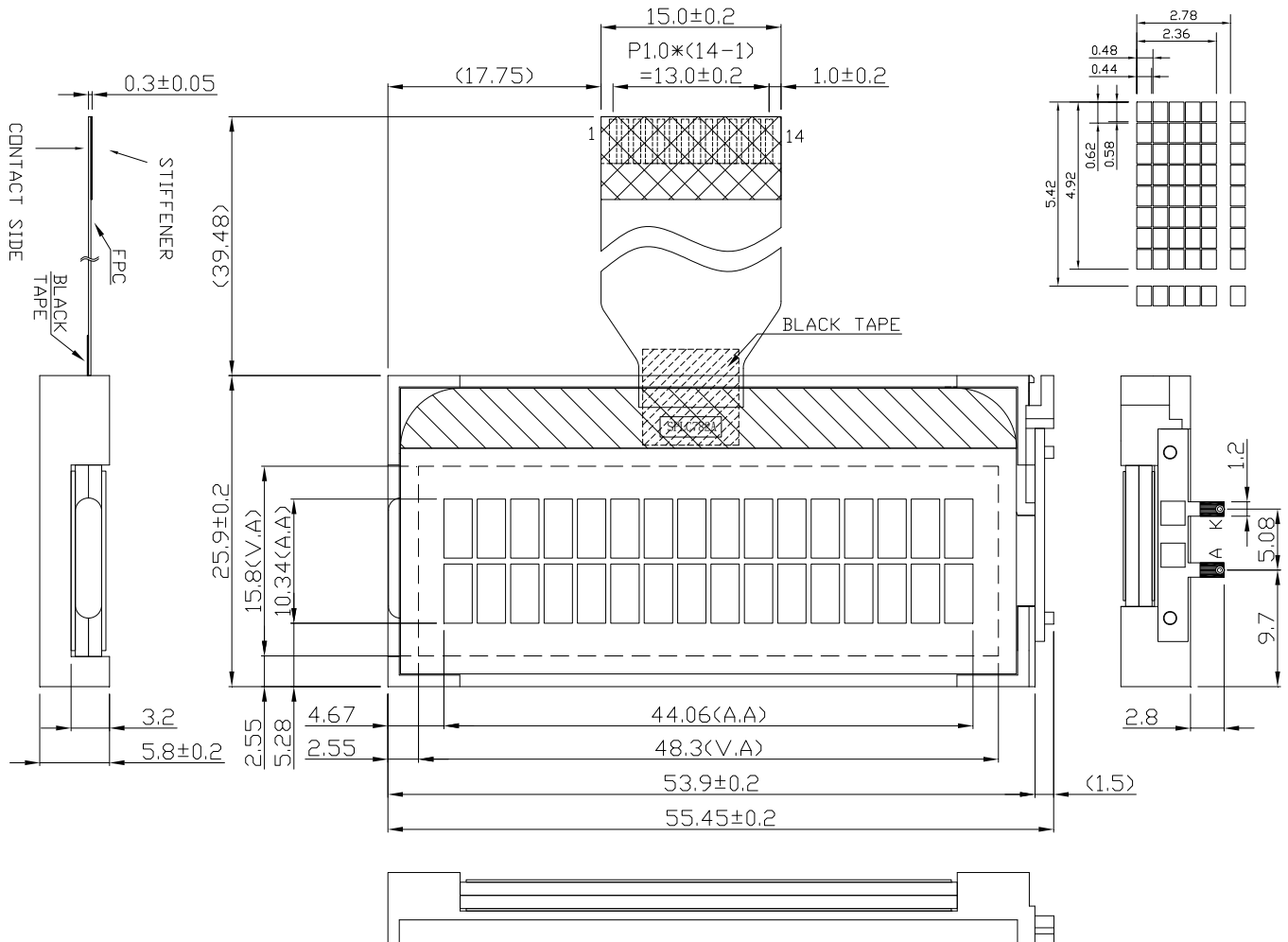


PMCG1602D SERIES (16CH * 2L)



龐誼科技股份有限公司
Palm Technology Co., Ltd.

EXTERNAL DIMENSION



PIN CONNECTIONS

PIN NO	1	2	3	4	5	6	7
SYMBOL	VSS	VDD	V0	RS	R/W	E	DB0
PIN NO	8	9	10	11	12	13	14
SYMBOL	DB1	DB2	DB3	DB4	DB5	DB6	DB7

BLOCK DIAGRAM

